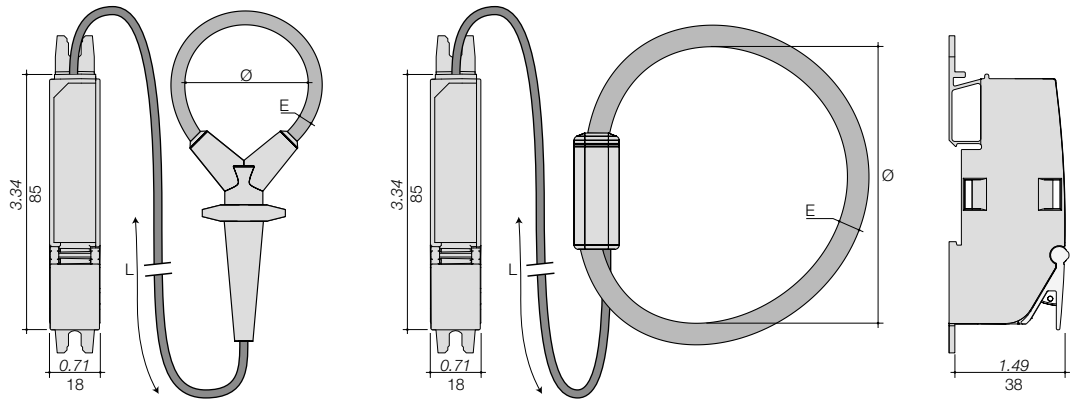
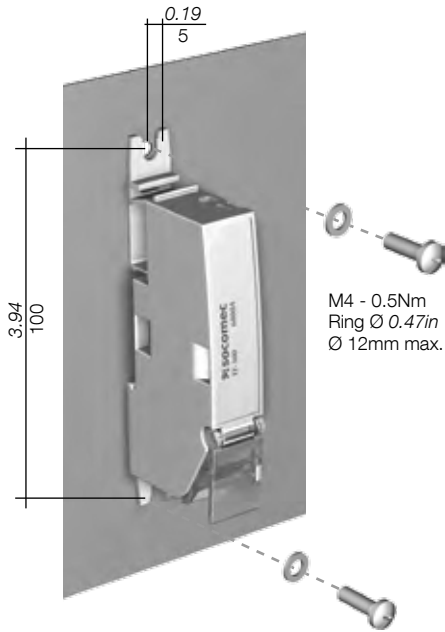


Dimensions in/mm

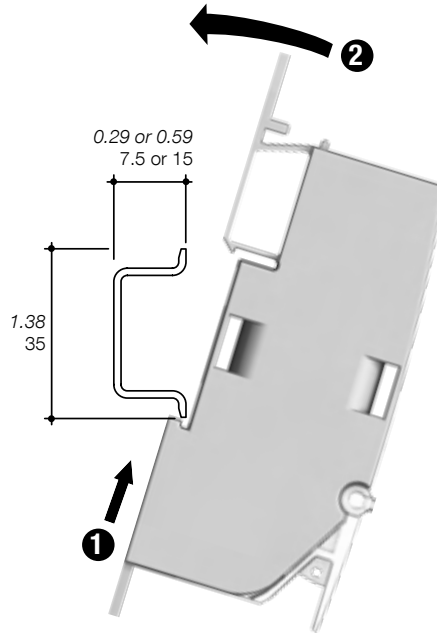
	TR-55	TR-120	TR-300
\varnothing	2.16 55	4.72 120	11.81 300
E	0.23 6	0.43 11	0.43 11
L	39.37 1000		



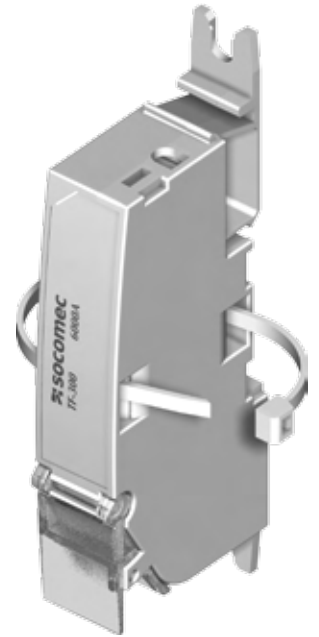
1A



1B



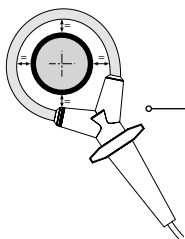
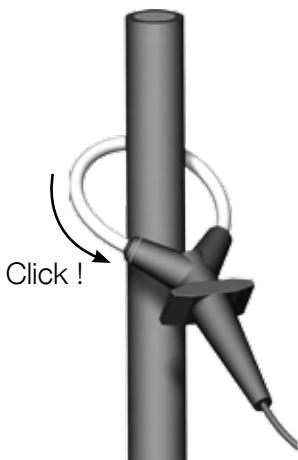
1C



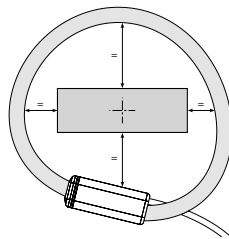
2



Do not apply around or remove from UNINSULATED HAZARDOUS LIVE conductors, which may render electric shock, electric burn, or arc flash.



Ideal positioning for measurement accuracy.



3

