

FUSERBLOC NFC/DIN

Fuse combination switches

from 25 to 1250 A



FUSERBLOC
de 630 à 1250 A

The solution for

- > Data centre
- > Healthcare
- > Industry
- > Building

Strong points

- > Improved safety
- > High breaking capacity
- > Multi-use
- > Simplified use

Conformity to standards

- > IEC 60947-3
- > IEC 60269-1
- > IEC 60269-2



Function

FUSERBLOC NFC/DIN units are manually operated multipolar fuse load break switches.

They provide make and break on load and safety isolation and protection against overcurrent for any low voltage electrical circuit.

This range is available in right front-side, left side and central front, direct or external operation, with 2, 3 and 4 poles and up to 1250 A.

Advantages

Improved safety

The double phase isolator (upstream/downstream of the fuse) and fully visible isolation guarantee the safety of people and equipment against overcurrents.

High breaking capacity

High breaking capacity fuses (100 kA rms) provide protection against overloads and shortcircuits.

Multi-use

The unit can be equipped with front or side operation handle, mounted directly on the product, or outside, with the possibility of installing it on the door or on the side of an electrical box or cabinet.

Simplified use

The TEST position enables testing of the control circuits without turning on the power thanks to the use of U-type auxiliary contacts. In the TEST position, the cabinet door can be opened.

General characteristics

- For fuses up to 1250 A.
- 2P, 3P or 4P available.
- Up to 690 VAC.
- Up to 100 kA.
- Available in versions with right front-side, left side and central front operation handles.

Approvals and certifications⁽¹⁾

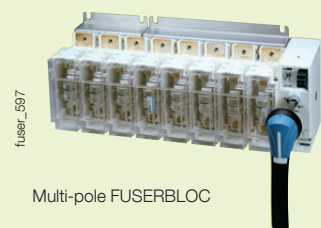


LOVAG



⁽¹⁾ Product references on request.

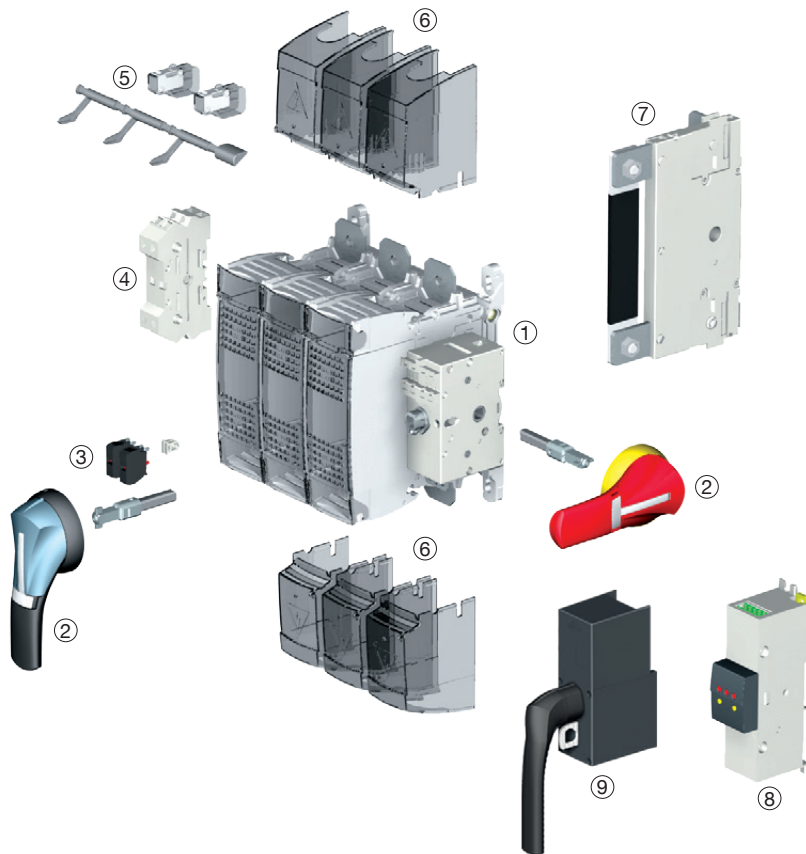
Customised solutions



Multi-pole FUSERBLOC

What you need to know

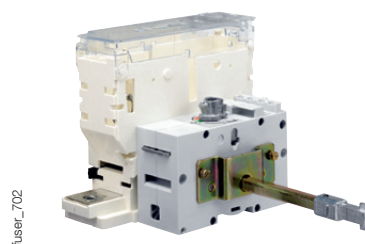
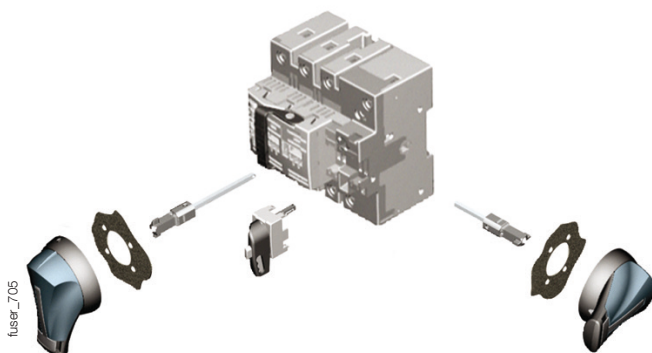
- In addition to the FUSERBLOC NFC/DIN rating, product selection also depends on the fuse characteristics and functional specifications, which need to be in accordance with the application. SOCOMEC FUSERBLOC NFC/DIN devices are equipped with **NFC/DIN fuses** (for BS fuses, please contact us)



- FUSERBLOC NFC/DIN fuse combination switch
- Handle for external front and side control
- U-type auxiliary contacts (pre-break and position signalling)
- Auxiliary power contacts (position signalling)
- Mechanical fuse melting detection device (DDMM)
- Upstream and downstream terminal shrouds
- Integrated solid neutral link
- Electronic fuse melting detection (FMD) makes it possible to have an automatic supervision or management system. Compatible with BS88, DIN and UL fuses
 - Visual LED signalling
 - Bi-stable relay for automation devices: alarm, tripping, etc.
 - TEST button: test the device is working properly at any time
 - Mounting plate or DIN rail, on door or directly on the FUSERBLOC NFC/DIN
- Direct control box.

- Whether it is 3-pole + switched neutral or 3-pole + solid neutral, the 25 to 32 A FUSERBLOC NFC/DIN with **direct** and **external** control is the best compact solution.

- For ratings 25 to 400 A, the **flat mounting kit** provides a compact solution ideally suited to plug-in units.
- Maintaining outputs from the DC common bus.



FUSERBLOC NFC/DIN

Fuse combination switches

from 25 to 1250 A

Références

NFC and DIN left and centered operation - 25 to 125 A

Rating (A) Fuse size Casing size	No. of poles	Front/ right-side operation (6)	Left side operation (6)	Front centered operation (6)	Direct front handle I-0-TEST	External front handle I - 0	TEST external front handle I - 0 - TEST	External right-side handle I - 0	Shaft for handle	Auxiliary contact	Terminal shrouds	Electronic fuse blown indication (5)																												
CD 25 A 10 x 38 0	3 P	3631 3002 (1)			3629 4012	S1 type Black IP55 1411 2111 (2) Black IP65 1413 2111 Red/ Yellow IP65 1414 2111	S1 type Black IP65 1413 2115 Red IP65 1414 2115	S1 type Black IP55 1415 2111 (2) Black IP65 1417 2111 Red/Yellow IP65 1418 2111	200 mm 1401 0520 320 mm 1401 0532 (2)																															
	3 P + switched neutral	3631 4002 (1)																																						
	3 P + solid neutral	3631 5002 (1)																																						
CD 32 A 10 x 38 0	3 P	3631 3003											3629 4012	S1 type Black IP55 1411 2111 (2) Black IP65 1413 2111 Red/ Yellow IP65 1414 2111	S1 type Black IP65 1413 2115 Red IP65 1414 2115	S1 type Black IP55 1415 2111 (2) Black IP65 1417 2111 Red/Yellow IP65 1418 2111	200 mm 1401 0520 320 mm 1401 0532 (2)																							
	3 P + NC *	3631 4003																																						
	3 P+ solid neutral*	3631 5003																																						
CD 32 A 14 x 51 0	3 P	3631 3004 (1)																			3629 4012	S1 type Black IP55 1411 2111 (2) Black IP65 1413 2111 Red/ Yellow IP65 1414 2111	S1 type Black IP65 1413 2115 Red IP65 1414 2115	S1 type Black IP55 1415 2111 (2) Black IP65 1417 2111 Red/Yellow IP65 1418 2111	200 mm 1401 0520 320 mm 1401 0532 (2)															
	3 P + switched neutral	3631 4004 (1)																																						
	3 P+ solid neutral	3631 5004 (1)																																						
50 A 14 x 51 11	2 P	3831 2005																											3999 5020	S2 type Black IP55 1421 2111 (2) Black IP65 1423 2111 Red IP65 1424 2111	S2 type Black IP65 1423 2115 Red IP65 1424 2115	S2 type Black IP55 1425 2111 (2) Black IP65 1427 2111 Red IP65 1428 2111	200 mm 1400 1020 320 mm 1400 1032 (2) 500 mm 1400 1050	Type U 1 contact F 3999 0701 (3) 1 contact O 3999 0702 (3)						
	3 P	3831 3005 (1)	3815 3005																																					
	4 P	3831 6005 (1)	3815 6005																																					
63 A 00C 12	2 P	3831 2006			3999 5020	S2 type Black IP55 1421 2111 (2) Black IP65 1423 2111 Red IP65 1424 2111	S2 type Black IP65 1423 2115 Red IP65 1424 2115	S2 type Black IP55 1425 2111 (2) Black IP65 1427 2111 Red IP65 1428 2111	200 mm 1400 1020 320 mm 1400 1032 (2) 500 mm 1400 1050	Type U 1 contact F 3999 0701 (3) 1 contact O 3999 0702 (3)																														
	3 P	3831 3006 (1)	3815 3006																																					
	4 P	3831 6006 (1)	3815 6006																																					
100 A 22 x 58 13	2 P	3831 2010											3999 5020	S2 type Black IP55 1421 2111 (2) Black IP65 1423 2111 Red IP65 1424 2111	S2 type Black IP65 1423 2115 Red IP65 1424 2115	S2 type Black IP55 1425 2111 (2) Black IP65 1427 2111 Red IP65 1428 2111	200 mm 1400 1020 320 mm 1400 1032 (2) 500 mm 1400 1050	Type U 1 contact F 3999 0701 (3) 1 contact O 3999 0702 (3)																						
	3 P	3831 3010 (1)	3815 3010																																					
	4 P	3831 6010 (1)	3815 6010																																					
125 A 22 x 58 13	2 P	3831 2011																			3999 5020	S2 type Black IP55 1421 2111 (2) Black IP65 1423 2111 Red IP65 1424 2111	S2 type Black IP65 1423 2115 Red IP65 1424 2115	S2 type Black IP55 1425 2111 (2) Black IP65 1427 2111 Red IP65 1428 2111	200 mm 1400 1020 320 mm 1400 1032 (2) 500 mm 1400 1050	Type U 1 contact F 3999 0701 (3) 1 contact O 3999 0702 (3)														
	3 P	3831 3011	3815 3011	3837 3015																																				
	4 P	3831 6011	3815 6011																																					
125 A 00 13	2 P	3831 2012																											3999 5020	S2 type Black IP55 1421 2111 (2) Black IP65 1423 2111 Red IP65 1424 2111	S2 type Black IP65 1423 2115 Red IP65 1424 2115	S2 type Black IP55 1425 2111 (2) Black IP65 1427 2111 Red IP65 1428 2111	200 mm 1400 1020 320 mm 1400 1032 (2) 500 mm 1400 1050	Type U 1 contact F 3999 0701 (3) 1 contact O 3999 0702 (3)						
	3 P	3831 3012	3815 3012																																					
	4 P	3831 6012	3815 6012																																					

(1) Available enclosed (see "Enclosed fuse switches").

(2) Standard.

(3) Maximum 4 contacts.

(4) Top or bottom. Provide 2 terminal shrouds for complete upstream and downstream protection.

(5) Mechanical fuse blown auxiliary contact (DDMM), see "Accessories".

(6) Switch body.

NFC and DIN front/right side, left side and centered 160 to 1250A

Rating (A) Fuse size Casing size	No. of poles	Front/ right-side operation (7)	Left side operation (7)	Front centered operation (7)	Direct front handle I-0-TEST	External front handle I - 0	TEST external front handle I - 0 - TEST	External right-side handle I - 0	Shaft for handle	Auxiliary contact	Terminal shrouds	Electronic fuse blown indication (5)
160 A 00 13	2 P	3831 2015			3999 5020					Type U 1 contact NC 3999 0701 (3) 1 contact NO 3999 0702 (3)		
	3 P	3831 3015	38153015									
	4 P	3831 6015	38156015									
160 A 0 14	2 P	3831 2016			3999 5021	S1 type Black IP55 1411 2111 (2)	S2 type Black IP65 1423 2115 Red IP65 1424 2115	S1 type Black IP55 1425 2111 (2)	200 mm 1400 1020 320 mm 1400 1032 500 mm 1400 1050			
	3 P	3831 3016 (1)	38153016	38373016								
	4 P	3831 6016 (1)	38156016									
250 A 1 15	2 P	3831 2024			3999 5021	S1 type Black IP55 1411 2111 (2)	S2 type Black IP65 1423 2115 Red IP65 1424 2115	S1 type Black IP55 1425 2111 (2)	200 mm 1400 1020 320 mm 1400 1032 500 mm 1400 1050			
	3 P	3831 3024 (1)	38153024	38373024								
	4 P	3831 6024 (1)	38156024	38376024								
400 A 2 16	2 P	3831 2038			3999 5021	S1 type Black IP55 1411 2111 (2)	S2 type Black IP65 1423 2115 Red IP65 1424 2115	S1 type Black IP55 1425 2111 (2)	200 mm 1400 1020 320 mm 1400 1032 500 mm 1400 1050			
	3 P	3831 3038 (1)	38153039	38373039								
	4 P	3831 6038 (1)	38156039	38376039								
630 A 3 17	2 P	3811 2063			3899 6011	S3 type Black IP65 1433 3111 (2)	S2 type Black IP65 1423 2115 Red IP65 1424 2115	S1 type Black IP55 1425 2111 (2)	200 mm 1400 1220 320 mm 1400 1232 500 mm 1400 1250	Type U 1 contact NC 3999 0701 (4) 1 contact NO 3999 0702 (4)		
	3 P	3811 3063 (1)	38153063	38173063								
	4 P	3811 6063 (1)	38156063	38176063								
800 A 3 17	2 P	3811 2080			3899 6011	S3 type Black IP65 1433 3111 (2)	S2 type Black IP65 1423 2115 Red IP65 1424 2115	S1 type Black IP55 1425 2111 (2)	200 mm 1400 1220 320 mm 1400 1232 500 mm 1400 1250	Type U 1 contact NC 3999 0701 (4) 1 contact NO 3999 0702 (4)		
	3 P	3811 3080	38153080	38173080								
	4 P	3811 6080	38156080									
800 A 4 18	2 P	3811 2081			1141 3011	S4 type Black IP65 1443 3111 (2)	S2 type Black IP65 1423 2115 Red IP65 1424 2115	S1 type Black IP55 1425 2111 (2)	200 mm 1400 1220 320 mm 1400 1232 500 mm 1400 1250			
	3 P	3811 3081										
	4 P	3811 6081										
1250 A 4 18	2 P	3811 2120			1141 3011	S4 type Black IP65 1443 3111 (2)	S2 type Black IP65 1423 2115 Red IP65 1424 2115	S1 type Black IP55 1425 2111 (2)	200 mm 1400 1220 320 mm 1400 1232 500 mm 1400 1250			
	3 P	3811 3120	38153120	38173120								
	4 P	3811 6120	38156120									

(1) Available enclosed (see "Enclosed fuse switches").

(2) Standard.

(3) Maximum 4 contacts.

(4) Maximum 8 contacts.

(5) Top or bottom. Provide 2 terminal shrouds for complete upstream and downstream protection.

(6) Mechanical fuse blown auxiliary contact (DDMM), see "Accessories".

(7) Switch body

FUSERBLOC NFC/DIN

Fuse combination switches

from 25 to 1250 A

Accessories

Frame front handle can be locked in position 0 for direct control

Rating (A)	Frame size	Command	Handle colour	Reference
50 - 160	11-12-13-14	I-0-TEST	Black	3999 5020
250 - 400	15-16	I-0-TEST	Black	3999 5021



Direct front-operation handle

Front operation				
Rating (A)	Frame size	Figure N°	Handle colour	Reference
20 - 32	0	1	Black	3629 4012
20 - 32	0	1	Red	3629 4013
630 - 800	17	2	Black	3899 6011
800 - 1250	18	3	Black	1141 3011



Fig. 1



Fig. 2



Fig. 3

Handle locks in position 0 for external control

Padlockable handle in position 0							
Rating (A)	Frame size	Handle type	Handle colour	Command	External IP ⁽¹⁾	Defeatable handle	Reference
CD 25 ... 63	0/11/12	S1	Black	I - 0	IP55	Yes	1411 2111
CD 25 ... 63	0/11/12	S1	Black	I - 0	IP65	Yes	1413 2111
CD 25 ... 63	0/11/12	S1	Red/Yellow	I - 0	IP65	Yes	1414 2111
CD 25 ... 63	0/11/12	S1	Black	I - 0 - Test	IP65	Yes	1413 2115
CD 25 ... 63	0/11/12	S1	Red/Yellow	I - 0 - Test	IP65	Yes	1414 2115
100 - 400	13 ... 16	S2	Black	I - 0	IP55	Yes	1421 2111
100 - 400	13 ... 16	S2	Black	I - 0	IP65	Yes	1423 2111
100 - 400	13 ... 16	S2	Red/Yellow	I - 0	IP65	Yes	1424 2111
100 - 400	13 ... 16	S2	Black	I - 0 - Test	IP55	Yes	1423 2115
100 - 400	13 ... 16	S2	Red/Yellow	I - 0 - Test	IP65	Yes	1424 2115
630 ... 800	17	S3	Black	I - 0	IP65	Yes	1433 3111
630 ... 800	17	S3	Red/Yellow	I - 0	IP65	Yes	1434 3111
800 ... 1250	18	S4	Black	I - 0	IP65	Yes	1443 3111
800 ... 1250	18	S4	Red/Yellow	I - 0	IP65	Yes	1444 3111

(1) IP: protection index according to IEC 60529.



Handle type S2



Padlockable handle in position 1-0 for external control

Padlockable handle in position 0 and I					
Rating (A)	Frame size	Handle type	Handle colour	External IP ⁽¹⁾	Reference
CD 25 ... 63	0/11/12	S1	Black	IP65	1413 2311
100 - 400	13 ... 16	S2	Black	IP65	1423 2311

(1) IP: protection index according to IEC 60529.



Padlockable metal handle in position 1-0 for external front control

Rating (A)	Frame size	Handle type	Handle colour	External IP ⁽¹⁾	Defeatable handle	Reference
CD 25 ... 63	0/11/12	S1	Black	IP65	Yes	141D 2911
CD 25 ... 63	0/11/12	S1	Red/Yellow	IP65	Yes	141E 2911
100 - 400	13 ... 16	S2	Black	IP65	Yes	142D 2911
100 - 400	13 ... 16	S2	Red/Yellow	IP65	Yes	142E 2911
600 ... 800	17	S3	Black	IP65	Yes	143D 3911
600 ... 800	17	S3	Red/Yellow	IP65	Yes	143E 3911
800 ... 1250	18	S4	Black	IP65	Yes	144D 3911
800 ... 1250	18	S4	Red/Yellow	IP65	Yes	144E 3911

(1) IP: protection index according to IEC 60529.



Handle locks in position 1-0 for external side control

Rating (A)	Frame size	Handle type	Handle colour	External IP ⁽¹⁾	Reference
CD 25 ... 63	0/11/12	S1	Black	IP55	1415 2111
CD 25 ... 63	0/11/12	S1	Black	IP65	1417 2111
CD 25 ... 63	0/11/12	S1	Red/Yellow	IP65	1418 2111
100 - 400	13 ... 16	S2	Black	IP55	1425 2111
100 - 400	13 ... 16	S2	Black	IP65	1427 2111
100 - 400	13 ... 16	S2	Red/Yellow	IP65	1428 2111
630 ... 1250	17/18	S3	Black	IP65	1437 3111
630 ... 1250	17/18	S3	Red/Yellow	IP65	1438 3111

(1) IP: protection index according to IEC 60529.



Type S handle adapter

Use

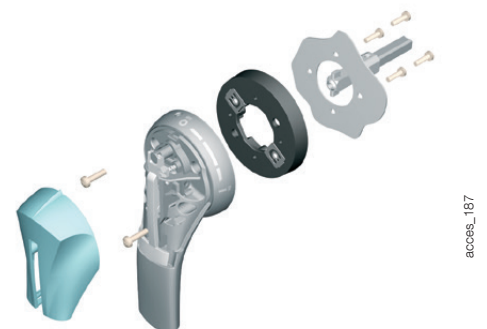
Handle extension.

Dimensions

Add 12 mm to the handle depth.

Handle colour	Available for order in multiples of	External IP ⁽¹⁾	Reference
Black	1	IP65	1493 0000

(1) IP: protection index according to IEC 60529.

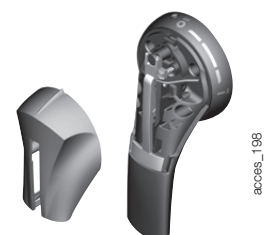


Alternative colour Type S handle cover

Use

For single lever handle types S1, S2, S3 and double lever handle type S4. Other colours available - please contact us.

Handle colour	Available for order in multiples of	Handle type	Reference
Light grey	50	S1, S2, S3	1401 0001
Dark grey	50	S1, S2, S3	1401 0011
Light grey	50	S4	1401 0031
Dark grey	50	S4	1401 0041



FUSERBLOC NFC/DIN

Fuse combination switches

from 25 to 1250 A

Accessories (continued)

Shaft extensions for external front

Use

Standard lengths:

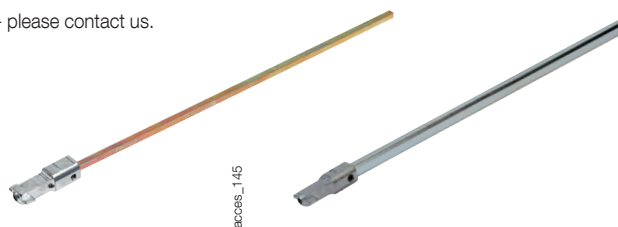
- 200 mm
- 320 mm
- 400 mm
- 500 mm.

Other lengths available - please contact us.

Rating (A)	Frame size	Shaft length (mm)	Reference
CD 25 ...CD 32	0	200	1401 0520
CD 25 ...CD 32	0	320	1401 0532
CD 25 ...CD 32	0	400	1401 0540 ⁽¹⁾
50 - 400	11 ... 16	200	1400 1020
50 - 400	11 ... 16	320	1400 1032
50 - 400	11 ... 16	500	1400 1050 ⁽²⁾
630 ...800	17	200	1400 1220
630 ...1250	17/18	320	1400 1232
630 ... 1250	17/18	500	1400 1250 ⁽¹⁾

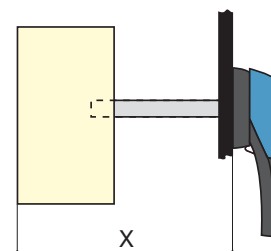
(1) Use the accessory "guide cone for external operation".

(2) Use the accessory "shaft extension support for external front operation".



access_145

access_369



access_202_a_1_x_cat

Dimension X (mm) for FUSERBLOC NFC and DIN

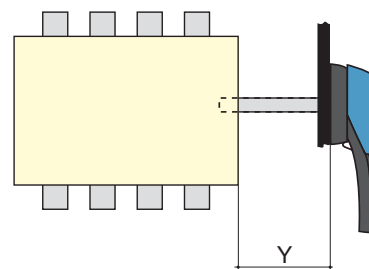
Rating (A)	CD 25 ...CD 32	50	63	100 ... 160	160	250 ...400	630 ... 800	800 ... 1250
Fuse size	10x38/14x51	14x51	00C	22x58/00	0	1/2	3	4
Frame size	0	11	12	13	14	15/16	17	18
Shaft extension length (mm)								
200	102 ... 245	100 ... 230	125 ... 230	135 ... 230	145 ... 230	160 ... 230	270 ... 304	
320	102 ... 365	100 ... 350	125 ... 350	135 ... 350	145 ... 350	160 ... 350	270 ... 424	304 - 424
400	102 ... 445	100 - 430	125 - 430	135 - 430	145 - 430	160 - 430	270 - 504	304 - 504
500		100 ... 530	125 ... 530	135 ... 530	145 ... 530	160 ... 530	270 ... 604	304 - 604

Shaft for external side operation

Use

Standard length, 200 mm.

Rating (A)	Frame size	Handle type	Dimension Y (mm)	Shaft length (mm)	Reference
CD 25 ...CD 32	0	S	36 ... 159	200	1401 0520
50 - 400	11 ... 16	S	36 ... 172	200	1400 1020
630 ... 1250	17/18	S	15 ... 150	200	1400 1220



access_203_a_1_x_cat

Shaft guide for external operation

Use

For use with S Type handles, to guide the shaft extension into the external handle.

This accessory enables the handle to engage the extension shaft with a misalignment of up to 15 mm.

Required for a shaft length over 320 mm.

Designation	Reference
Shaft guide	1429 0000



access_260

Key handle interlocking system

Use

Locking in position 0 of the direct, front or right side operation:

- using a padlock (not supplied) in direct right side operation: available as standard on the handle,

- using a padlock (not supplied): right-side or front operation switch from 50 to 1250 A, integrated as standard

- using a lock (not supplied) in external operation.

Locking using RONIS EL 11 AP lock (not supplied)

Rating (A)	Frame size	Command	Figure N°	Reference
CD 25 ... 1250	0 ... 18	external front	1	1499 7701

Locking using Type K CASTELL lock (not supplied)

Rating (A)	Frame size	Command	Figure N°	Reference
CD 25 ... 1250	0 ... 18	external front	3	1499 7702

Locking using Type FS CASTELL lock (not supplied)

Rating (A)	Frame size	Command	Figure N°	Reference
CD 25 ... 1250	0 ... 18	external front	2	1499 7703

Locking using XOP (not supplied)

Rating (A)	Frame size	Command	Reference
CD 25 ... 1250	0 18	external front	1499 7702

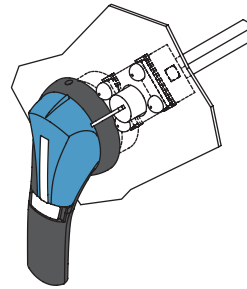


Fig. 1

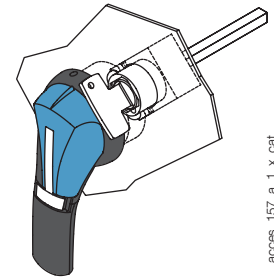


Fig. 2

access_168_a_1_x_cat

access_167_a_1_x_cat

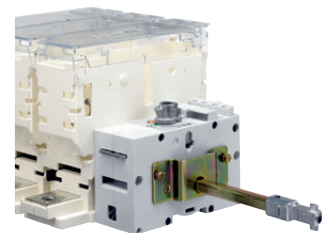
Flat mounting kit

Use

The flat mounting kit is ideally suited to pull-out units.

Kit to be used with a handle for flat mounting.

Rating (A)	Frame size	Type	Reference
CD 25 ... CD 32	0	Kit + 200 mm shaft	1429 7709
50 - 400	11 ... 16	Kit + 200 mm shaft	1429 7710



fuser_535

Handle for flat mounting kit

Padlockable handle in position 0

Rating (A)	Frame size	Handle type	Handle colour	External IP ⁽¹⁾	Reference
CD 25 ... 63	0/11/12	S1	Black	IP55	1411 2111 ⁽²⁾
CD 25 ... 63	0/11/12	S1	Red/Yellow	IP65	1414 2111 ⁽²⁾
100 - 400	13 ... 16	S2	Black	IP55	1421 2111 ⁽²⁾
100 - 400	13 ... 16	S2	Red/Yellow	IP65	1424 2111 ⁽²⁾

(1) IP: protection index according to IEC 60529.

(2) Defeatable handle in position I.



Handle type S2

fuser_536

External front operation shaft support accessory

Use

This support maintains shaft position for extension shafts greater than 320 mm in length.

Rating (A)	Frame size	Reference
50 - 400	11 ... 16	3899 0400



fuser_668

FUSERBLOC NFC/DIN

Fuse combination switches

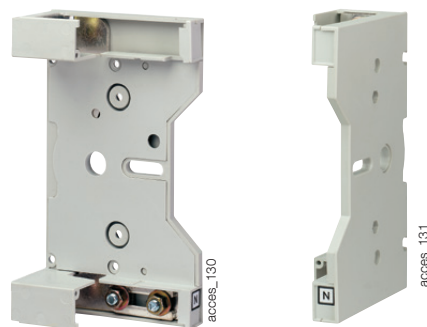
from 25 to 1250 A

Accessories (continued)

Integrated solid neutral link

Use

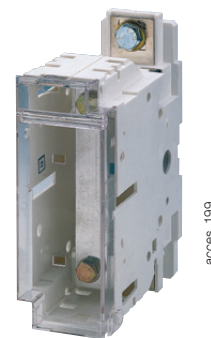
Fixing the solid neutral onto the mechanism produces a device with a solid neutral of the same size as a standard three-pole device (+ 6 mm).



For external front operation			
Rating (A)	Frame size	Bar rating (A)	Reference
100 ... 125	13	125	3829 9310
160	13	160	3829 9320
160	14	200	3829 9320
250	15	250	3829 9325
400	16	400	3829 9339
630 ... 800	17	800	3829 9308
800 ... 1250	18	1250	3829 9312

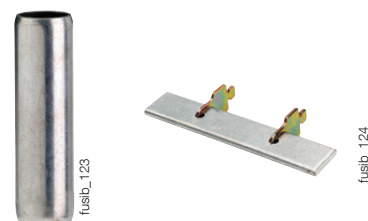
Solid neutral module for front control

Rating (A)	Frame size	I _{max} (A)	Distance (mm)	Reference
50	11	50	27	3629 9227
63	12	63	32	3629 9232
100 ... 160	13	160	36	3629 9236
160	14	160	50	3629 9250
250	15	250	60	3629 9260
400	16	400	66	3629 9265
630 ... 800	17	800	94	3629 9294
800 ... 1250	18	1250	120	3629 9212



Solid neutral link

NFC and DIN devices				
Rating (A)	Frame size	Fuse size	I _{max} (A)	Reference
50	11	14 x 51	50	6029 0000
100 ... 125	13	22 x 58	125	6039 0000
63 ... 160	12/13	00C / 00	160	6420 0000
160	14	0	160	6421 0000
250	15	1	250	6421 0001
400	16	2	400	6421 0002
630 ... 800	17	3	800	6421 0003
800 - 1250	18	4	1250	6441 0005



Terminal shrouds

Use

Top or bottom IP20 protection (on the front) against direct contact with terminals or connection parts.

2 sets required to fully shroud both incoming and outgoing terminals.

Rating (A)	Frame size	Position	No. of poles	Reference
CD 25 ... 63	0/12	Upstream/downstream	2 / 3 / 4 P	integrated
100 ... 160	13/14	Upstream/downstream	2 P	3998 2016
100 ... 160	13/14	Upstream/downstream	3 P	3998 3016
100 ... 160	13/14	Upstream/downstream	4 P	3998 4016
250 - 400	15	Upstream/downstream	2 P	3998 2025
250 - 400	15	Upstream/downstream	3 P	3998 3025
250 - 400	15	Upstream/downstream	4 P	3998 4025
400	16	Upstream/downstream	2 P	3898 2040
400	16	Upstream/downstream	3 P	3898 3040
400	16	Upstream/downstream	4 P	3898 4040
630 ... 800	17	Upstream/downstream	2 P	3898 2080
600 ... 800	17	Upstream/downstream	3 P	3898 3080
600 ... 800	17	Upstream/downstream	4 P	3898 4080
800 ... 1250	18	Upstream/downstream	2 P	3898 2120
800 ... 1250	18	Upstream/downstream	3 P	3898 3120
800 ... 1250	18	Upstream/downstream	4 P	3898 4120



Type S and Type ST auxiliary contacts

Use

For FUSERBLOCs 50 to 1250 A, position 0 and I signalling by 1 to 4 NO + NC auxiliary contacts.

Electrical principle

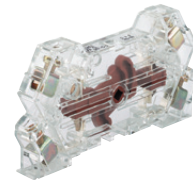
The NO + NC Type S auxiliary contacts can be configured as 2 NC or 2 NO.

Connection

By terminals with max. cross-section 10 mm².

Mechanical characteristics

30,000 operations.



access_051

References

Type S auxiliary contacts 0-I for external front and right-side operation

Rating (A)	Frame size	Contact type	Auxiliary contact type S Reference	Actuating kit for auxiliary contact (optional) Reference
50 ... 1250	11 ... 18	NC+NO	3999 0041 ⁽¹⁾	3999 0003

Type ST auxiliary contacts I-0-TEST for external front and right-side operation

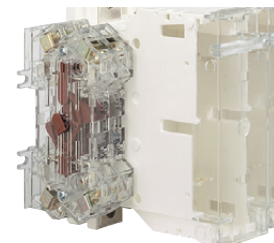
Rating (A)	Frame size	Contact type	Description	Auxiliary contact type ST Reference	Actuating kit for auxiliary contact Reference
50 - 400	11 ... 16	NC+NO	TEST + ON	3999 0141 ⁽²⁾	3999 0103
50 - 400	11 ... 16	2 O	TEST + ON	3999 0241 ⁽²⁾	3999 0103

⁽¹⁾ Actuating kit for auxiliary contact type S signalling included.

⁽²⁾ Actuating kit for auxiliary contact type ST signalling to be ordered in addition.

Characteristics

Rating (A)	Current Nominal (A)	Operating current I _o (A)	
		250 VAC AC-13	400 VAC AC-13
50 ... 1250	20	10	8



access_053

Important

> For 400 A rating, casing 16, an adaptation kit reference 3999 000 must be ordered in addition to the auxiliary contact kit.

Type U auxiliary contacts⁽¹⁾

Use

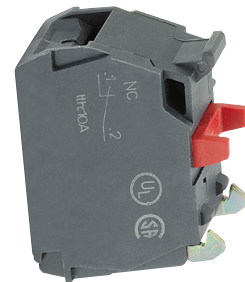
Compact universal type auxiliaries can be configured to be operated on both standard and TEST position switches. Each housing can accommodate up to 2 interlocked auxiliary contacts.

Connection to the control circuit

By terminals with max. section 2 x 2.5 mm²

For FUSERBLOC CD 25 to 400 A: pre-break and signalling of positions 0, I and Test

For FUSERBLOC ≥ 630 A: pre-break and signalling of positions 0 and I.



access_056

References

NC auxiliary contacts

Rating (A)	Frame size	Contact	Reference ⁽¹⁾
CD 25 ... 1250	0 ... 18	1	3999 0701 ⁽²⁾

NO auxiliary contacts

Rating (A)	Frame size	Contact	Reference ⁽¹⁾
CD 25 ... 1250	0 ... 18	1	3999 0702 ⁽²⁾

⁽¹⁾ CD 25 - CD 32: Cannot be mounted in direct operation.

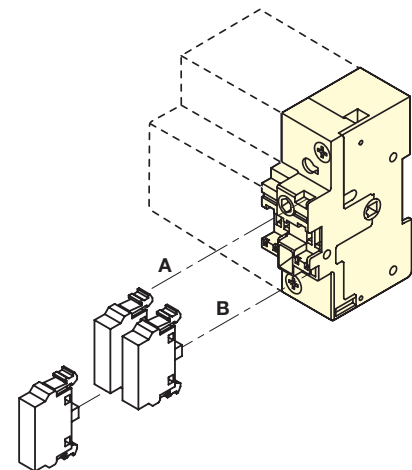
⁽²⁾ CD 25-160 A - 4 AC Max with no additional holder for auxiliary contact.
250-400 A - 8 AC Max with no additional holder for auxiliary contacts.

Contact holder for additional auxiliary contacts

Rating (A)	Frame size	Contact	Reference
CD 25 ... CD 32	0	4 (2 x 2 max)	3999 0710
50 - 400	11 ... 16	4 (2 x 2 max)	3999 0600

Characteristics

Rating (A)	Operating current I _o (A)			
	250 VAC AC-15	400 VAC AC-15	24 VDC DC-13	48 VDC DC-13
CD 25 ... 1250	3	1.8	2.8	1.4



access_043_a_1_x_cat

⁽¹⁾ Type U auxiliary contacts cannot be mounted in conjunction with integrated solid neutral.

FUSERBLOC NFC/DIN

Fuse combination switches

from 25 to 1250 A

Accessories (continued)

Electronic fuse blown indication (FMD)

Use

For BS88, DIN and UL fuse cartridge, with or without striker.

Principle

The Fuse Melting Device (FMD) detects fuse blowing using a bistable relay and a signalling LED. It can be mounted on a DIN rail, a back plate, next to the FUSERBLOC, or on the door.

References

For FUSERBLOC 63 to 1250 A - size 000 to 4		
No. of LEDs	Ph/Ph operating voltage	Reference
3	155 - 260 VAC	3899 3120
3	380 - 690 VAC	3899 3380

Accessories		Reference
Kit to connect accessories	Standard	3819 9120
Kit to connect accessories	Door mounted	3829 9120

Relay characteristics		Relay operational current I _o (A)	
Rating (A)		AC-15	DC-13
63 - 1250		2.5 A	0.2



3-LED version

Important

- For 400 A rating, casing 16, mounted on the device itself, an adaptation kit reference 3999 0000 must be ordered in addition to the FMD.

DDMM-type auxiliary contact for NFC/DIN-striking fuse device

Use

For fuse cartridge with striker (size 14 x 51; 22 x 58; 0; 1; 2; 3 and 4).

Connection to the control circuit

By 6.35 mm fast-on terminal.

Electrical principle

NO/switched neutral auxiliary contact detects fuse blowing.

Mechanical characteristics

30,000 operations.

References

NO/NC type auxiliary contacts for 2 poles				
Rating (A)	Frame size	Fusibles ⁽¹⁾	Contact	Reference
50	11	14 x 51	1 st	3994 0405
100 ... 125	13	22 x 58	1 st	3994 0210
160	14	NH0	1 st	3994 0216
250	15	NH1-NH2	1 st	3994 0225
400 ⁽¹⁾	16	NH2	1 st	3894 0440
630 ... 800	17	NH3	1 st	3894 1206
800 ... 1250	18	NH4	1 st	3894 1212

NO/NC type auxiliary contacts for 3 poles				
Rating (A)	Frame size	Fuses	Contact	Reference
CD 32	0	14 x 51	1 st	3994 0303
50	11	14 x 51	1 st	3994 0405
100 ... 125	13	22 x 58	1 st	3994 0310
160	14	NH0 - NH00	1 st	3994 0316
250	15	NH1-NH2	1 st	3994 0325
400 ⁽¹⁾	16	NH2	1 st	3894 0440
630 ... 800	17	NH3	1 st	3894 1306
800 ... 1250	18	NH4	1 st	3894 1312
50 ... 250	11/13/14/15	14x51 ... NH2	2:	3994 1901
400	16	NH2	2:	3994 1902
630 ... 1250	17/18	NH3-NH4	2:	3994 1901

NO/NC type auxiliary contacts for 4-pole or 3-pole + neutral				
Rating (A)	Frame size	Fuses	Contact	Reference
50	11	14 x 51	1 st	3994 0405
100 ... 125	13	22 x 58	1 st	3994 0410
160	14	NH0	1 st	3994 0416
250	15	NH1-NH2	1 st	3994 0425
400 ⁽¹⁾	16	NH2	1 st	3894 0440
630 ... 800	17	NH3	1 st	3894 1406
800 ... 1250	18	NH4	1 st	3894 1412
50 ... 250	11/13/14/15	14x51 ... NH2	2:	3994 1901
400	16	NH2	2:	3994 1902
630 ... 1250	17/18	NH3-NH4	2:	3994 1901

⁽¹⁾ NH00 fuse = size 00. NH4 fuse = size 4.

Characteristics

Rating (A)	Current Nominal (A)	Operating current I _o (A)			
		250 VAC AC-13	400 VAC AC-13	24 VDC DC-13	48 VDC DC-13
CD 32 ... 1250	16	4	3	12	2



DDMM for cylindrical fuses



DDMM for NH fuses

Cage terminals

Use

Connection of bare copper cables onto the terminals (without lugs).

References

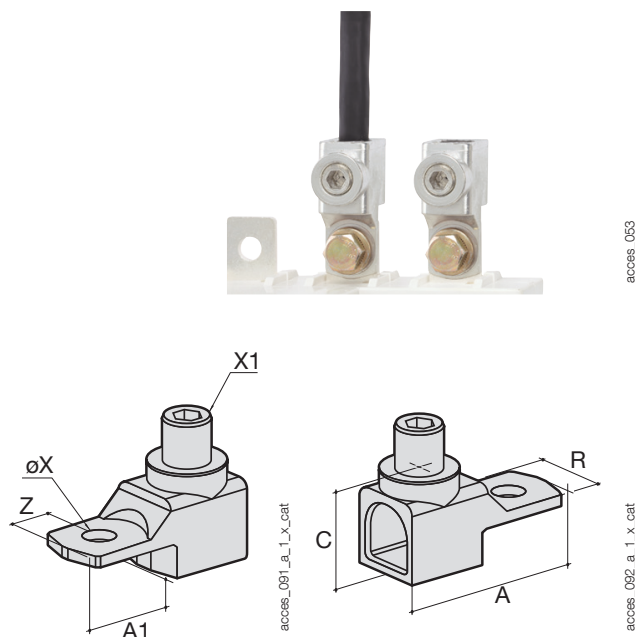
Rating max (A)	Frame size	No. of poles	Reference
CD 25 ... 63	0 ... 12	2 / 3 / 4 P	integrated
100 ... 160	13/14	3 P	5400 3016
100 ... 160	13/14	4 P	5400 4016
250	15	3 P	5400 3025
250	15	4 P	5400 4025
400	16	3 P	5400 3040
400	16	4 P	5400 4040

Connections

Rating (A)	Cable section: flexible (mm ²)	Cable section: rigid (mm ²)	Flexible bar width (mm)	Stripped (mm)
100 ... 160	16 ... 95	16 ... 95	13	22
250	16 ... 185	16 ... 185	18	27
400	50 ... 240	50 ... 300	20	34

Dimensions

Rating (A)	A	A1	C	R	ØX	X1	Z
100 ... 160	47.5	22.5	25	20	8.5	M12	10
250	62	31.5	31.5	25	10.5	M16	14
400	71.5	32	38	32	10.5	M20	15



Label

Use

Customisable self-adhesive label allowing identification of the devices.

Dimensions W x H (mm)	To be ordered in multiples of	Reference
18 x 13	50	7769 9999



FUSERBLOC NFC/DIN

Fuse combination switches

from 25 to 1250 A

Characteristics according to IEC 60947-3

25 to 125 A

References	36xx x002	36xx x003	36xx x004	38xx x005	38xx x006	38xx x010	38xx x011	38xx x012	
"x" corresponds to digit for number of pole (2 = 2 P, 3 = 3 P, 6 = 4 P)									
Type	CD 25 A	CD 32 A	CD 32 A	Mod. 50 A	Mod. 63 A	Mod. 100 A	Mod. 125 A	Mod. 125 A	
Frame size	0	0	0	11	12	13	13	13	
Casing pitch per power pole (mm)	-	-	-	27	32	36	36	36	
Number of poles	3, 4 (switched neutral), 4 (solid neutral)	3, 4 (switched neutral), 4 (solid neutral)	3, 4 (switched neutral), 4 (solid neutral)	2, 3, 4	2, 3, 4	2, 3, 4	2, 3, 4	2, 3, 4	
Assigned thermal current I _{th} (35 °C)	25 A	32 A	32 A	50 A	63 A	100 A	125 A	125 A	
NFC/DIN fuse size	NFC 10 x 38	NFC 10 x 38	NFC 14 x 51	NFC 14 x 51	NH000	NFC 22 x 58	NFC 22 x 58	NH00	
Rated operating voltage U _e (V)	690 V	690 V	690 V	690 V	690 V	690 V	690 V	690 V	
Rated insulation voltage U _i (V)	800	800	690	800	800	800	800	800	
Rated impulse withstand voltage U _{imp} (kV)	8	8	8	8	8	8	8	8	
Short-circuit characteristics									
Prospective short-circuit current at U _e 400/415V AC (kA rms)	100	100	100	100	100	100	100	50	
Prospective short-circuit current at U _e 660/690V AC (kA rms)	100	100	-	100	100	100	100	50	
Rated peak withstand current in I _{cc} U _e 415 V AC (kA peak) (single switch)	5.5	5.5	5.5	5.52	7.3	11.9	13.6	-	
Rated peak withstand current in I _{cc} U _e 690 V AC (kA peak) (single switch)	5.2	6.1	-	6.5	7.3	15.8	20.4	10.4	
Rated operating current I_e (A)									
Nominal voltage	Operating category	A/B ⁽¹⁾	A/B ⁽¹⁾	A/B ⁽¹⁾	A/B ⁽¹⁾	A/B ⁽¹⁾	A/B ⁽¹⁾	A/B ⁽¹⁾	A/B ⁽¹⁾
415 V AC	AC 21 A / AC 21 B	25/25	32/32	32/32	50/50	63/63	100/100	125/125	125/125
415 V AC	AC 22 A / AC 22 B	25/25	32/32	32/32	50/50	63/63	100/100	125/125	125/125
415 V AC	AC 23 A / AC 23 B	25/25	32/32	32/32	50/50	63/63	100/100	125/125	125/125
500 V AC	AC 21 A / AC 21 B	25/25	32/32	32/32	50/50	63/63	100/100	125/125	125/125
500 V AC	AC 22 A / AC 22 B	25/25	32/32	32/32	50/50	63/63	100/100	125/125	125/125
500 V AC	AC 23 A / AC 23 B	25/25	32/32	32/32	50/50	63/63	100/100	125/125	125/125
690 V AC	AC 20 A / AC 20 B	25/25	32/32	32/32	50/50	63/63	100/100	125/125	125/125
690 V AC	AC 21 A / AC 21 B	25/25	32/32	32/32	50/50	63/63	100/100	100/100	125/125
690 V AC ⁽²⁾	AC 22 A / AC 22 B	25/25	32/32	32/32	50/50	63/63	100/100	100/100	125/125
690 V AC ⁽²⁾	AC 23 A / AC 23 B	25/25	32/32	32/32	50/50	63/63	100/100	100/100	125/125
220 V DC	DC 21 A / DC 21 B	-/25	-/32	-/32	-	-/63	100/100	100/100	125/125
220 V DC	DC 22 A / DC 22 B	-/25	-/32	-/32	-	-	100/100	100/100	125/125
220 V DC	DC 23 A / DC 23 B	-/25 ⁽³⁾	-/25 ⁽³⁾	-/25 ⁽³⁾	-	-	100/100	100/100	125/125
440 V DC	DC 21 A / DC 21 B	-	-	-	-	-/63 ⁽⁴⁾	100 ⁽⁴⁾ /100 ⁽⁴⁾	100 ⁽⁴⁾ /100 ⁽⁴⁾	125 ⁽⁴⁾ /125 ⁽⁴⁾
440 V DC	DC 22 A / DC 22 B	-	-	-	-	-	100 ⁽⁴⁾ /100 ⁽⁴⁾	100 ⁽⁴⁾ /100 ⁽⁴⁾	125 ⁽⁴⁾ /125 ⁽⁴⁾
440 V DC	DC 23 A / DC 23 B	-	-	-	-	-	100 ⁽⁴⁾ /100 ⁽⁴⁾	100 ⁽⁴⁾ /100 ⁽⁴⁾	125 ⁽⁴⁾ /125 ⁽⁴⁾
Rated operating power in AC-23 (kW)									
At U _e 415 V AC without pre-break auxiliary contact ⁽¹⁾⁽⁵⁾		11/11	15/15	15/15	25/25	30/30	51/51	63/63	63/63
At U _e 690 V AC without pre-break auxiliary contact ⁽¹⁾⁽⁵⁾		22/22	25/25	25/25	45/45	55/55	90/90	90/90	90/90
Reactive power (kvar)									
At U _e 415 V AC ⁽⁵⁾		11	15	15	23	28	45	55	55
Power dissipation (W / pole)									
Dissipated power		3.1	4.1	5.9	7.3	8.4	14.5	19.9	20.3
Power dissipated by fuse		2.4	2.9	4.3	4.6	6	9	11	12.5
Power dissipated by switch body		0.7	1.2	1.6	2.45	4.35	6.8	8.63	6
Wiring capacity of conductors									
Minimum Cu cable cross-section (mm ²)		2.5	2.5	2.5	6	10	25	35	35
Minimum Cu cable cross-section (mm ²)		16	16	16	25	25	95	95	95
Maximum busbar width (mm)		-	-	-	-	-	20	20	20
Min. tightening torque (Nm)		2	2	2	3	3	9	9	9
Mechanical characteristics									
Durability (number of operating cycles)		10 000	10 000	10 000	10 000	10 000	10 000	10 000	10 000
Operating torque (Nm)		4.1	4.1	4.1	8.7	8.7	9.7	9.7	10.2
Weight of a 3-pole device without extras (kg)		0.48	0.48	0.50	0.80	1	1.5	1.5	1.5
Weight of a 4-pole device without extras (kg)		0.50	0.50	0.52	1	1.3	2	2	2
Weight of 1 P extra (kg)		-	-	-	0.2	0.3	0.5	0.5	0.5
Storage temperature (°C)		-50 ... +85							
Operating temperature (°C)		-20 ... +70							
Regulatory compliance		IEC 60947-3							
Certification		IEC, KEMA, Lloyd's and CCC							
Degree of pollution		3	3	3	3	3	3	3	3

(1) Category with index A = frequent operation / Category with index B = infrequent operation.

(2) With terminal shrouds or phase barrier.

(3) 3-pole device with 2 poles in series for the '+' and 1 pole for the '-'.

(4) 4-pole device with 2 poles in series per polarity.

(5) The power value is given for information only; the current values vary from one manufacturer to another.

(6) For a rated operational voltage U_e = 400 V AC.

160 to 1250 A

References	38xx x015	38xx x016	38xx x024	38xx x038	38xx x063	38xx x080	38xx x081	38xx x120	
*"x" corresponds to digit for number of pole (2 = 2 P, 3 = 3 P, 6 = 4 P)									
Type	Mod. 160 A	Mod. 160 A	Mod. 250 A	Mod. 400 A	Mod. 630 A	Mod. 800 A	Mod. 800 A	Mod. 1250 A	
Frame size	13	14	15	16	17	17	18	18	
Casing pitch per power pole (mm)	36	50	60	66	94	94	120	120	
Number of poles	2, 3, 4	2, 3, 4	2, 3, 4	2, 3, 4	2, 3, 4	2, 3, 4	2, 3, 4	2, 3, 4	
Assigned thermal current I _{th} (35 °C)	160 A	160 A	250 A	400 A	630 A	800 A	800 A	1250 A	
NFC/DIN fuse size	NH00	NH0	NH1	NH2	NH3	NH3	NH4	NH4	
Rated operating voltage U _e (V)	690 V	600 V	690 V	690 V	690 V	690 V	415 V	415 V	
Rated insulation voltage U _i (V)	800	800	800	1,000	1,000	1,000	1,000	1,000	
Rated impulse withstand voltage U _{imp} (kV)	8	8	8	12	12	12	12	12	
Short-circuit characteristics									
Prospective short-circuit current at U _e 400/415V AC (kA rms)	50	100	100	50	100	100	100	100	
Prospective short-circuit current at U _e 660/690V AC (kA rms)	50	50	50	50	100	100	-	-	
Rated peak withstand current in I _{cc} U _e 415 V AC (kA peak) (single switch)	18.95	22.66	23.9	33.5	48	54.18	50.8	53.2	
Rated peak withstand current in I _{cc} U _e 690 V AC (kA peak) (single switch)	13.5	14	29	29.9	58.7	58.7	-	-	
Rated operating current I_e (A)									
Nominal voltage	Operating category	A/B ⁽¹⁾	A/B ⁽¹⁾	A/B ⁽¹⁾	A/B ⁽¹⁾	A/B ⁽¹⁾	A/B ⁽¹⁾	A/B ⁽¹⁾	A/B ⁽¹⁾
415 V AC	AC 21 A / AC 21 B	160/160	160/160	250/250	400/400	-/630	-/800	-/800	-/1250
415 V AC	AC 22 A / AC 22 B	160/160	160/160	250/250	400/400	-/630	-/800	-/800	-/1250
415 V AC	AC 23 A / AC 23 B	160/160	160/160	250/250	400/400	-/630	-/800	-/800	-/1250
500 V AC	AC 21 A / AC 21 B	160/160	160/160	250/250	-/400	-/630	-/800	-/800	-/1250
500 V AC	AC 22 A / AC 22 B	160/160	160/160	250/250	-/400	-/630	-/800	-/800	-/1250
500 V AC	AC 23 A / AC 23 B	160/160	160/160	250/250	-	-	-	-	-
690 V AC	AC 20 A / AC 20 B	160/160	160/160	250/250	400/400	630/630	800/800	800/800	1250/1250
690 V AC	AC 21 A / AC 21 B	160/160	160/160	250/250	-/400	-/630	-/800	-/800	-/1250
690 V AC ⁽²⁾	AC 22 A / AC 22 B	160/160	160/160	250/250	-/400	-/630	-/800 ⁽⁶⁾	-/800	-/1250
690 V AC ⁽²⁾	AC 23 A / AC 23 B	125/125	125/125	250/250	250/315	-	-	-	-
220 V DC	DC 21 A / DC 21 B	160/160	160/160	250/250	-	-	-	-	-
220 V DC	DC 22 A / DC 22 B	160/160	160/160	250/250	-	-	-	-	-
220 V DC	DC 23 A / DC 23 B	125/125	125/125	200/200	-	-	-	-	-
440 V DC	DC 21 A / DC 21 B	160 ⁽³⁾ /160 ⁽³⁾	160 ⁽³⁾ /160 ⁽³⁾	250 ⁽³⁾ /250 ⁽³⁾	-	-	-	-	-
440 V DC	DC 22 A / DC 22 B	160 ⁽³⁾ /160 ⁽³⁾	160 ⁽³⁾ /160 ⁽³⁾	250 ⁽³⁾ /250 ⁽³⁾	-	-	-	-	-
440 V DC	DC 23 A / DC 23 B	125 ⁽³⁾ /125 ⁽³⁾	125 ⁽³⁾ /125 ⁽³⁾	200 ⁽³⁾ /200 ⁽³⁾	-	-	-	-	-
Rated operating power in AC-23 (kW)									
At U _e 415 V AC without pre-break auxiliary contact ⁽¹⁾⁽⁵⁾		80/80	80/80	132/132	220/220	355/355	450/450	450/450	560/560
At U _e 690 V AC without pre-break auxiliary contact ⁽¹⁾⁽⁵⁾		110/110	110/110	220/220	220/295	295/400	400/400	400/400	400/475
Reactive power (kvar)									
At U _e 415 V AC ⁽⁵⁾		75	75	115	185	290	365	355	460
Power dissipation (W / pole)									
Power dissipation		21.6	23	41.1	57.4	122	134		264
Power dissipated by fuse		12	15	23	33	60	65	70	110
Power dissipated by switch body		10.4	10.4	19	24.4	61	68		154
Wiring capacity of conductors									
Minimum Cu cable cross-section (mm ²)		35	50	95	185	2 x 150	2 x 185		
Minimum Cu cable cross-section (mm ²)		95	95	240	240	2 x 300	2 x 300	4 x 185	4 x 185
Maximum busbar width (mm)		20	20	32	45	63	63	80	80
Min. tightening torque (Nm)		9	9	20	20	40	40	40	40
Mechanical characteristics									
Durability (number of operating cycles)		10 000	10 000	10 000	10 000	5 000	8 000	3 000	3 000
Operating torque (Nm)		10.2	9.7	13	17	56	57	62	62
Weight of a 3-pole device without extras (kg)		1.8	1.8	3.2	4.8	16	17	25	25
Weight of a 4-pole device without extras (kg)		2.3	2.3	4.5	6.1	20	21.5	30	30
Weight of 1 P extra (kg)		0.5	0.5	1.3	1.3			3	3
Storage temperature (°C)						-50 ... +85			
Operating temperature (°C)						-20 ... +70			
Regulatory compliance						IEC 60947-3			
Certification						IEC, KEMA, Lloyd's and CCC			
Degree of pollution		3	3	3	3	3	3	3	3

(1) Category with index A = frequent operation / Category with index B = infrequent operation.

(2) With terminal shrouds or phase barrier.

(3) 3-pole device with 2 poles in series for the '+' and 1 pole for the '-'.
(4) 4-pole device with 2 poles in series per polarity.

(5) The power value is given for information only; the current values vary from one manufacturer to another.

(6) For a rated operational voltage U_e = 400 V AC.

FUSERBLOC NFC/DIN

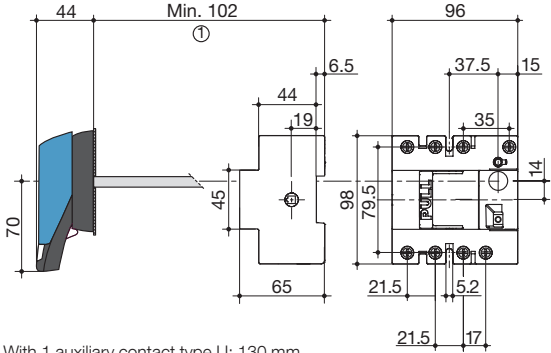
Fuse combination switches

from 25 to 1250 A

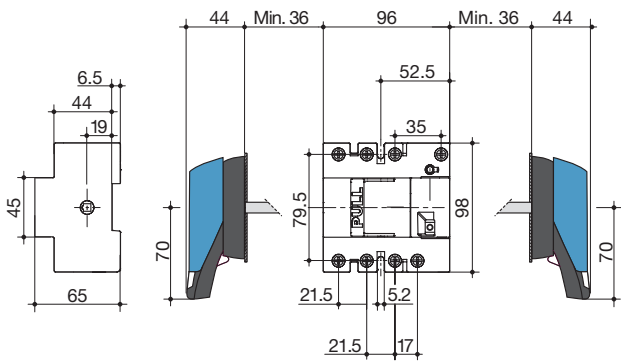
Dimensions for front/side external operation

25 to 32 A (size 10 x 38)

External front operation



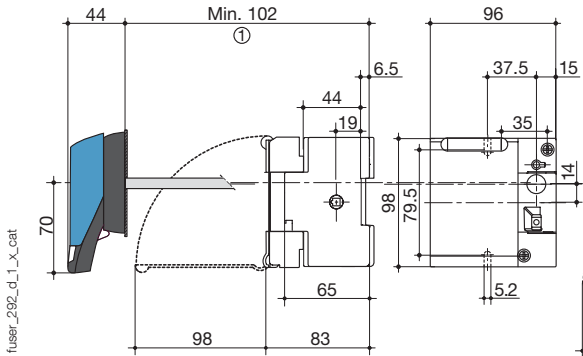
External side operation



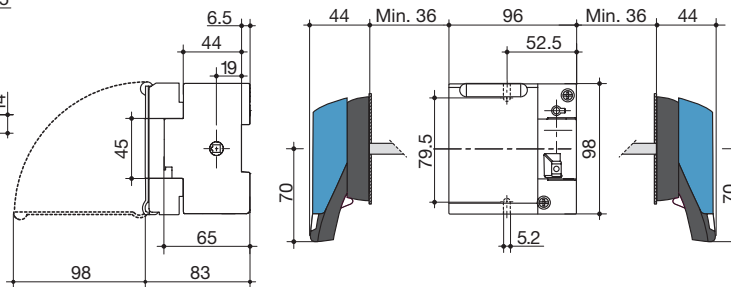
- 1. With 1 auxiliary contact type U: 130 mm.
- With 2 auxiliary contacts type U: 155 mm.

32 A (size 14 x 51)

External front operation



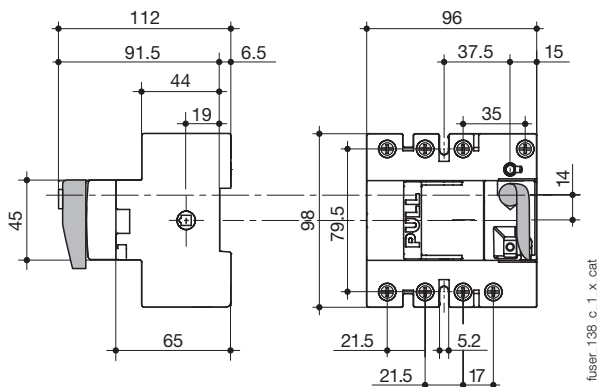
External side operation



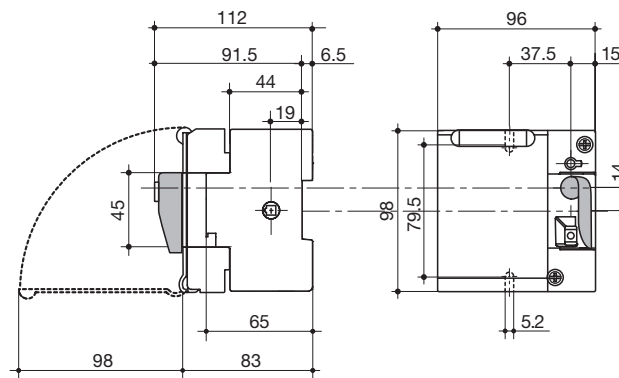
- 1. With 1 auxiliary contact type U: 130 mm.
- With 2 auxiliary contacts type U: 155 mm.

Dimensions - direct operation

25 A (size 10 x 38)



32 A (size 14 x 51)

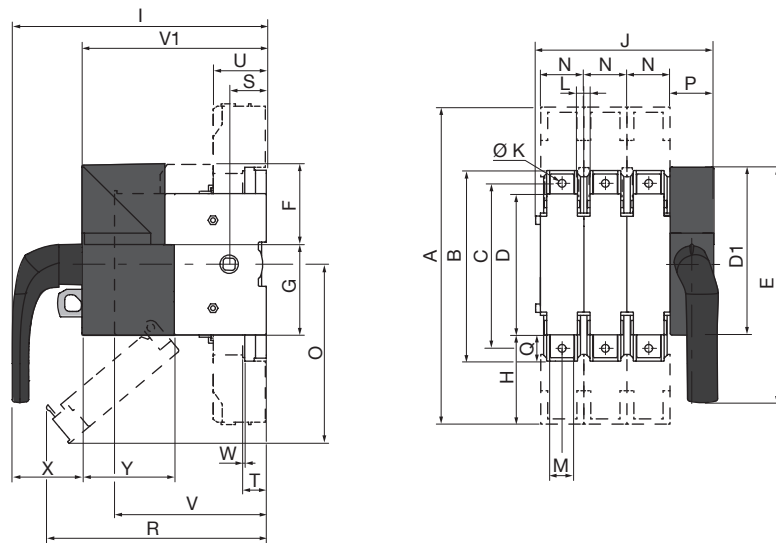
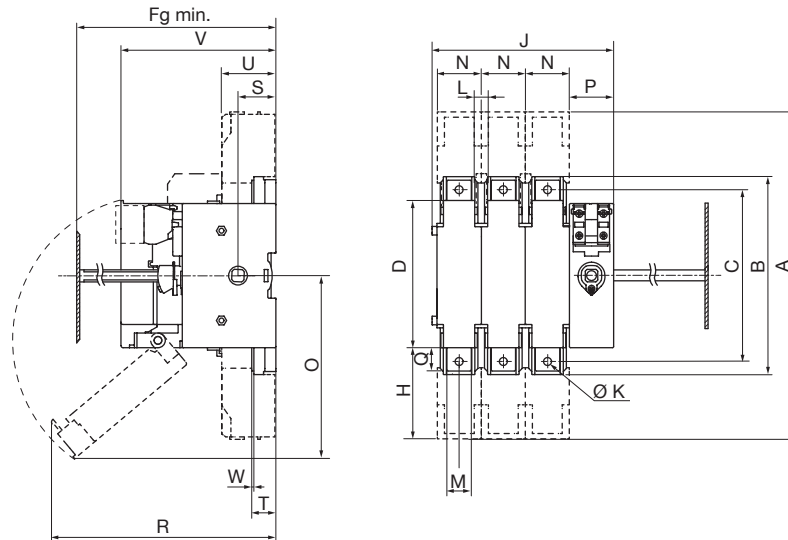


Dimensions for front and right side operation

50 à 160 A

50 - 63 A: cage connection.

100 - 160 A: cage connection.



fuser_751_la_1_x_cat.ai

fuser_752_a_1_x_cat.ai

Rating (A)	Fuse size	Frame size	Fg min												J																
				A	B	C	D	D1	E	F	G	H	I	3P	4P	K	L	M	N	O	P	Q	R	S	T	U	V	V1	W	X	Y
50	14 x 51	11	100		118		106	143	200	67,5	75,5		212,1	121	148	6,2	15	12	27	85	36,8	15	153	31			87	153,6	2	58,5	77
63	00C	12	125		118		106	143	200	67,5	75,5		212,1	136	168	6,2	20	12	32	159	36,8	15	145	31			116	153,6	2	58,5	77
100	22x58	13	135	268	162	141	127	143	200	67,5	75,5	75	212,1	148	184	8,5	16	20	36	141	36,8	41	187	31	19,5	43,5	116	153,6	2,5	58,5	77
125	22x58	13	135	268	162	141	127	143	200	67,5	75,5	75	212,1	148	184	8,5	16	20	36	141	36,8	41	179	31	19,5	43,6	116	153,6	2,5	58,5	77
125	NH00	13	135	268	162	141	127	143	200	67,5	75,5	75	212,1	148	184	8,5	16	20	36	141	36,8	41	193	31	19,5	43,7	126	153,6	2,5	58,5	77
160	NH00	13	135	268	162	141	127	143	200	67,5	75,5	75	212,1	148	184	8,5	16	20	36	141	36,8	41	193	31	19,5	43,8	126	153,6	2,5	58,5	77
160	NH0	14	145	268	162	141	140	143	200	67,5	75,5	75	212,1	190	240	8,5	20	20	50	174	36,8	41	229	31	19,5	43,9	136	153,6	2,5	58,5	77

Dimensions also valid for:

3 P front operation



4 P front operation



3 P left side operation



4 P left side operation



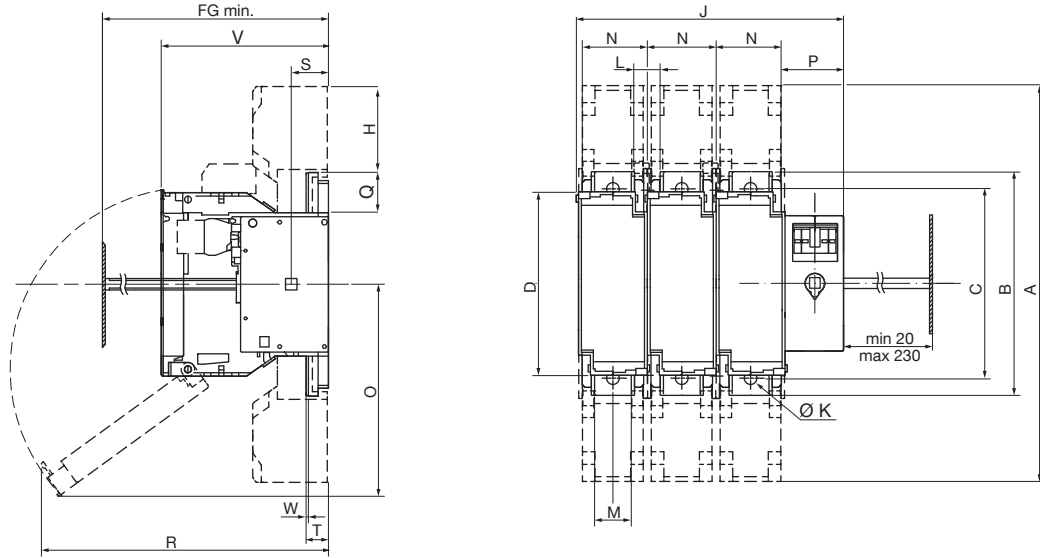
FUSERBLOC NFC/DIN

Fuse combination switches

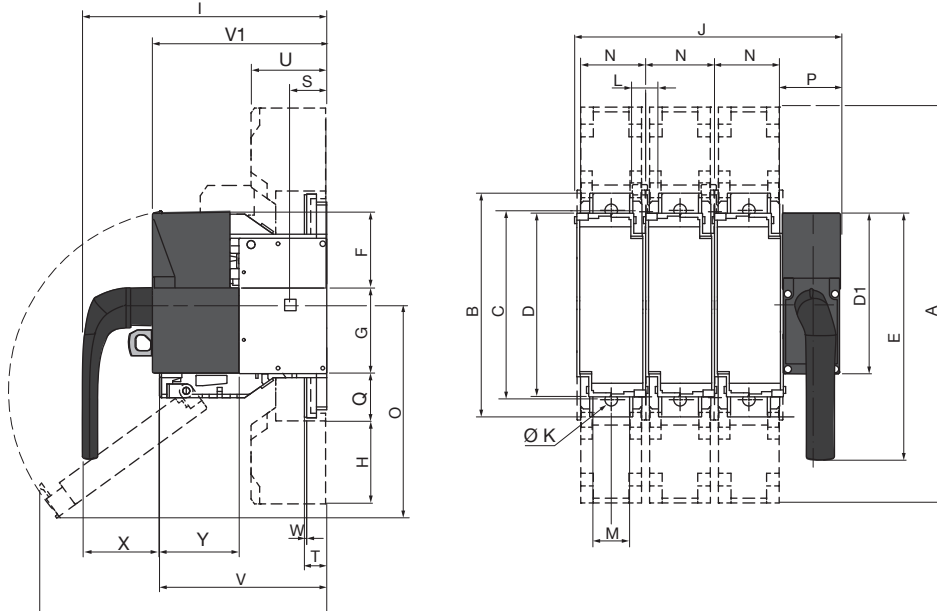
from 25 to 1250 A

Dimensions for direct front/right side operation (suite)

250 A



fuser_748_a_1_X_cat.ai



fuser_749_a_1_X_cat.ai

Rating (A)	Fuse size	Frame size	Fg min.	J																											
				A	B	C	D	D1	E	F	G	H	I	3P	4P	K	L	M	N	O	P	Q	R	S	T	U	V	V1	W	X	Y
250	NH1	15	154	345	195	166	162	143	220	67,5	75,5	110	212,1	234	294	8,5	28	32	60	185	51,6	52	251	31	19,5	65	146	142	2,5	58,5	77

Dimensions also valid for:
3 P front operation



4 P front operation



3 P left side operation

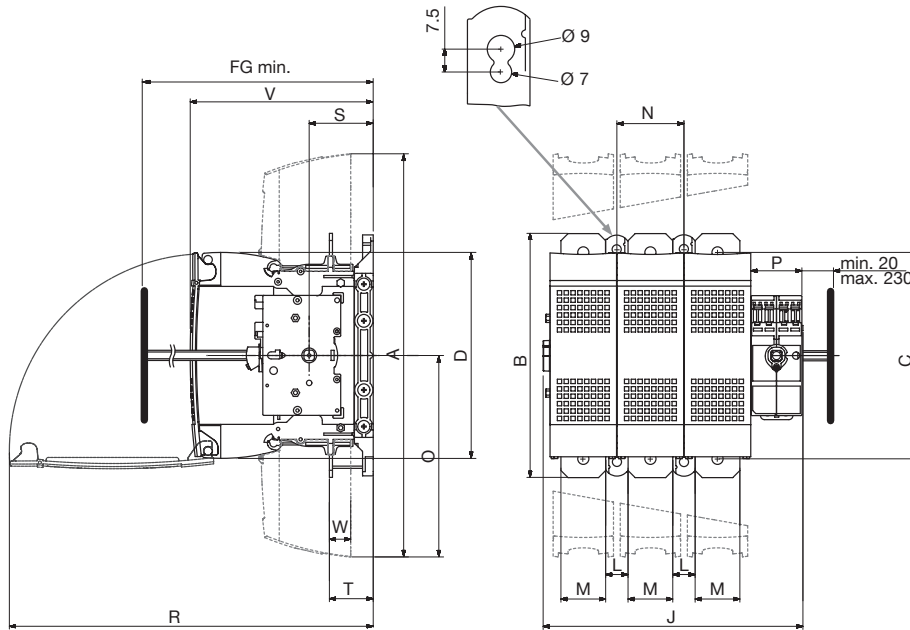


4 P left side operation

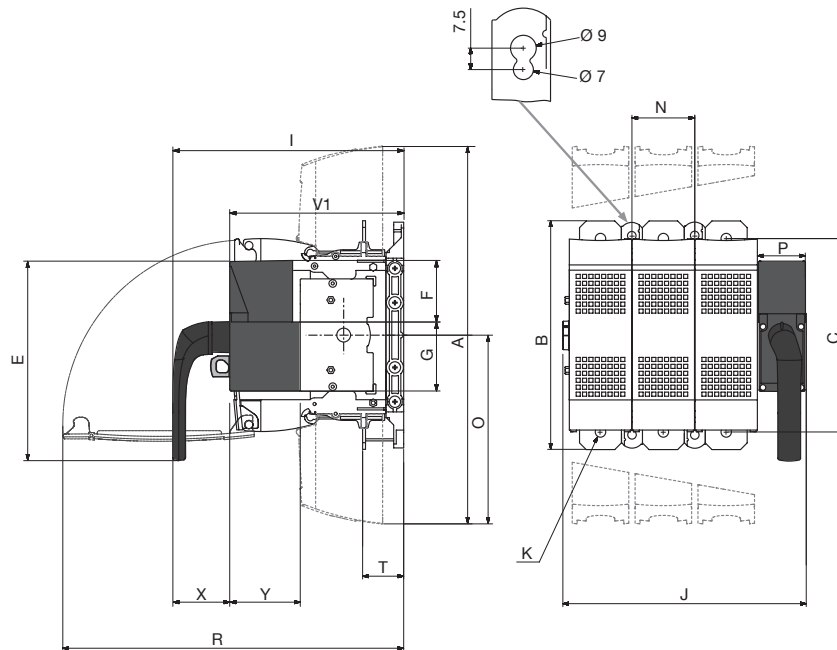


Dimensions for direct front/right side operation (suite)

400 A



fuser_793_c_1_x_cat.ai



fuser_750_a_1_x_cat.ai

Rating (A)	Fuse size	Frame size	Fg min.	A	B	C	D	D1	E	F	G	I	J		K	L	M	N	O	P	R	S	T	V	V1	W	X	Y
													3P	4P														
400	NH2	16	188	397	240	203	203	143	220	67,5	75,5	239	256	321	11	34	32	66	199	50	360	63	43	180	184	3	58,5	77

Dimensions also valid for:
3 P front operation



4 P front operation



3 P left side operation



4 P left side operation



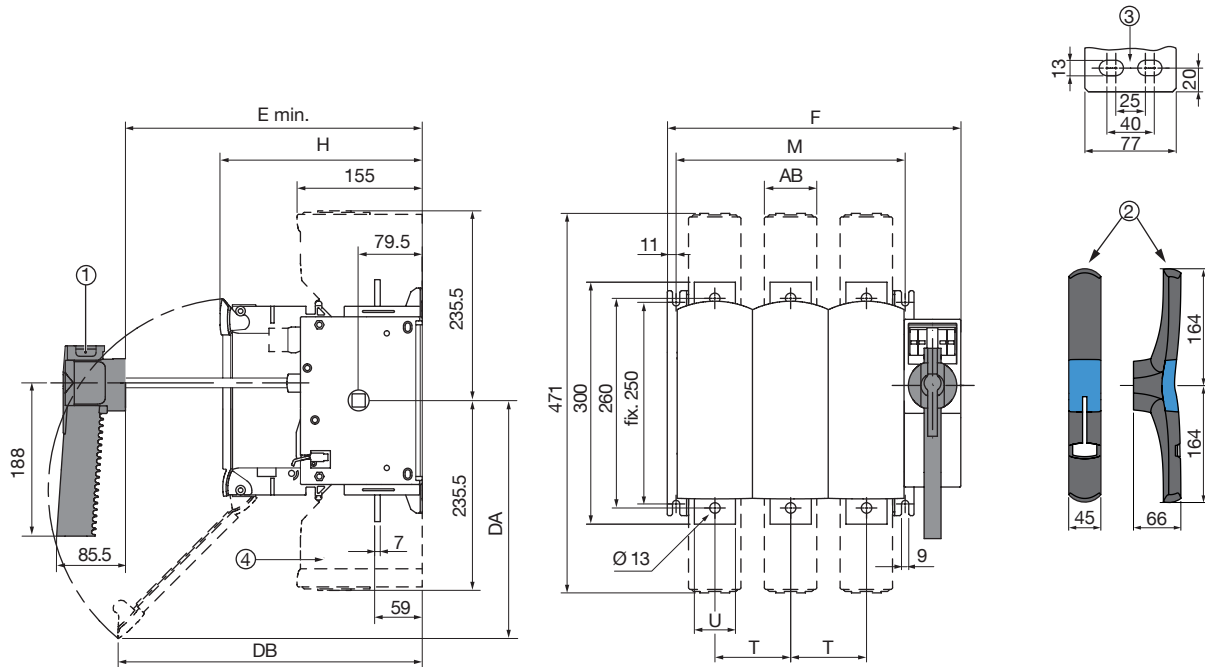
FUSERBLOC NFC/DIN

Fuse combination switches

from 25 to 1250 A

Dimensions for direct and external operation

630 to 1250 A



1. Handle for casing size 17.
2. Handle for casing size 18.
3. Connection terminals for casing size 18.
4. Terminal cover.

fuser_415_1_x_cat.ai

Rating (A)	Fuse size	Frame size	Overall dimensions E min.	Case					Switch mounting		Connection		Terminal shrouds AB
				F 3 P	F 4 P	H	DA	DB	M 3p.	M 4p.	T	U	
630	3	17	265	364	458	250	300	380	284	378	94	51	65
800	3	17	265	364	458	250	300	380	284	378	94	51	65
800	4	18	304	442	562	289	355	295	362	482	120	77	88
CD 1250	4	18	304	442	562	289	355	295	362	482	120	77	88

Dimensions also valid for:

3 P front operation



4 P front operation



3 P left side operation

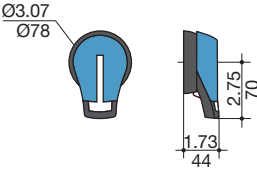
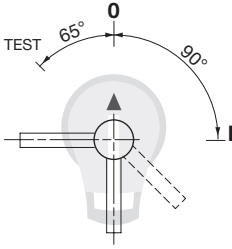
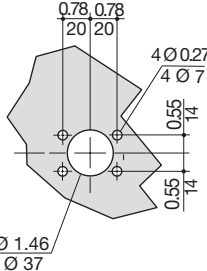
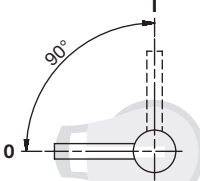
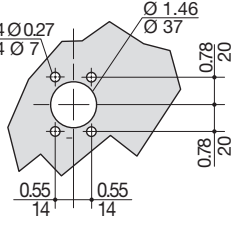


4 P left side operation

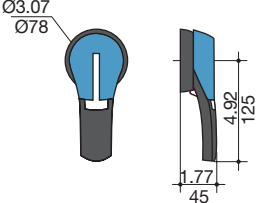
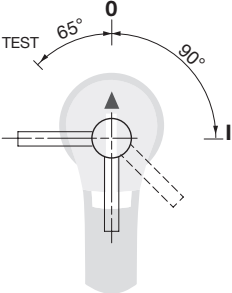
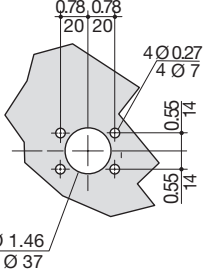
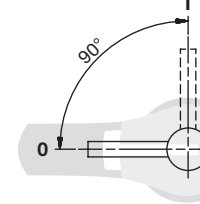
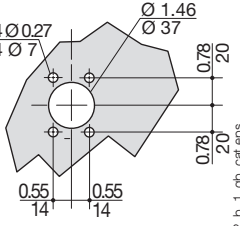


Dimensions for external handles

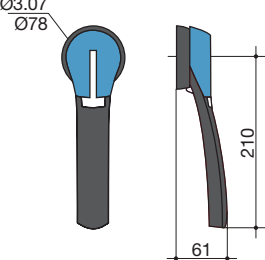
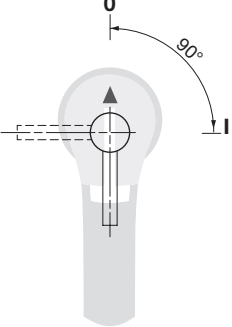
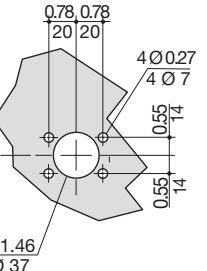
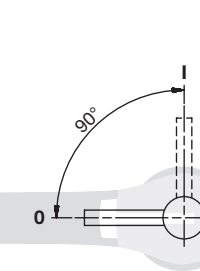
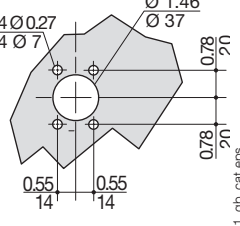
25 to 32 A

Handle type	Front operation		Right and left side operation	
	Direction of operation	Door drilling	Direction of operation	Door drilling
S1 type Box size 0 				

50 to 400 A

Handle type	Front operation		Right and left side operation	
	Direction of operation	Door drilling	Direction of operation	Door drilling
S2 type Box size 11-16 				

630 to 800 A

Handle type	Front operation		Right and left side operation	
	Direction of operation	Door drilling	Direction of operation	Door drilling
S3 type Box size 17 				

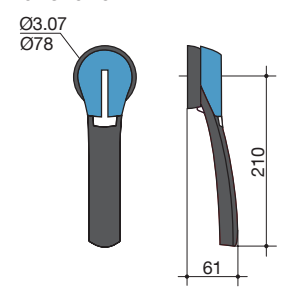

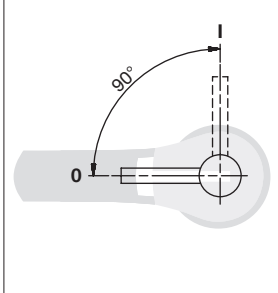
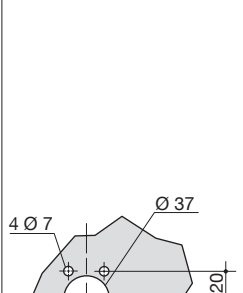
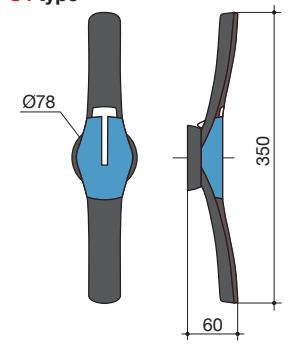
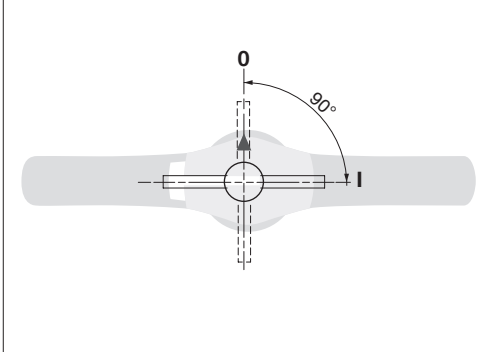

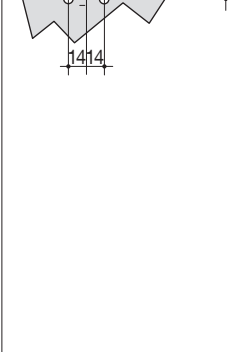
FUSERBLOC NFC/DIN

Fuse combination switches

from 25 to 1250 A

Dimensions for external handles (continued)

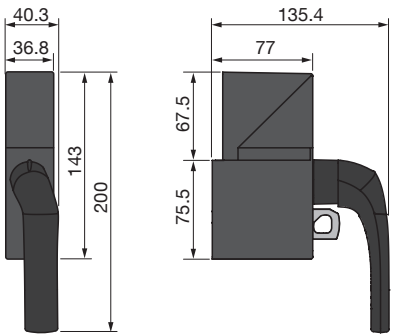
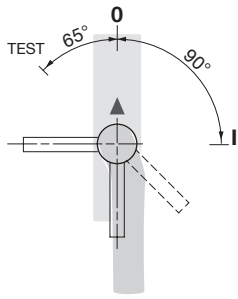
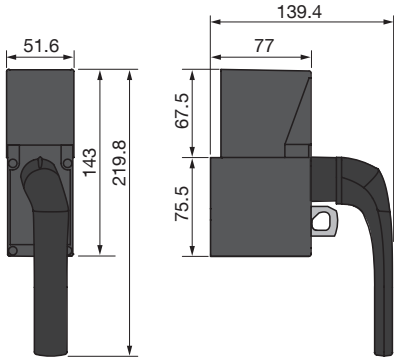
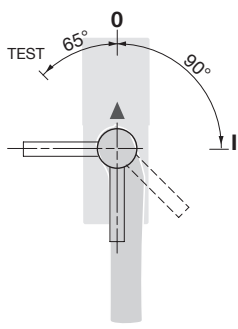
800 to 1250 A

Handle type	Front operation Direction of operation	Right and left side operation Direction of operation	Door drilling
<p>S3 type Box size 18</p> 			
<p>S4 type</p> 			

pa1gn_054_b_1_gp_cat.ai

Dimensions for direct-control casings

50 to 400 A

Case handle type	Direct control Operating direction
<p>50 to 160 A Case 11 to 14</p> 	
<p>250 to 400 A Case 15 to 16</p> 	

fuser_753_a_1_en_cat.ai