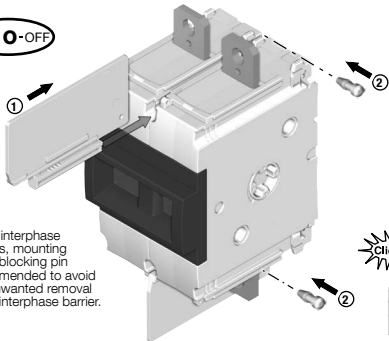
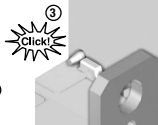


Interphase barrier mounting / Montage des écrans entre phase  
Montaje de pantalla de separación entre pletinas



For all interphase barriers, mounting of the blocking pin recommended to avoid any unwanted removal of the interphase barrier.



**Additional  
note**

545845 A - 04/16

For products not delivered with interphase barriers, the reference are:

Ref.	Set of	Size
84992202	2	Short
84992203	3	
84992212	2	Long
84992213	3	