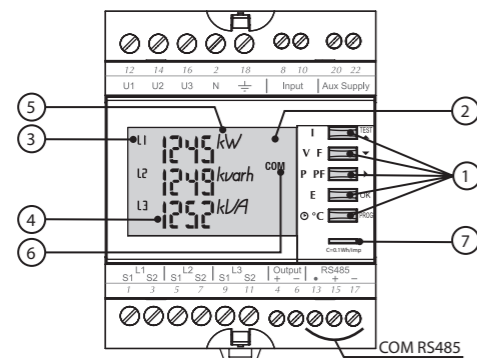




# DIRIS A-10

1

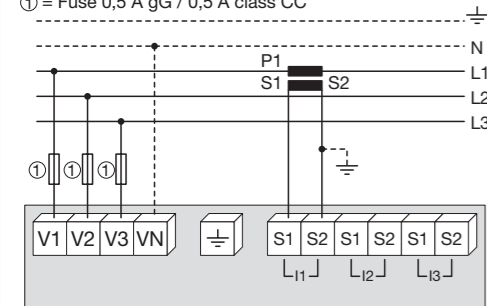
- 5 keys Key-pad
- LCD display
- Phase
- Values
- Unit
- Communication indication
- Energy metering indication



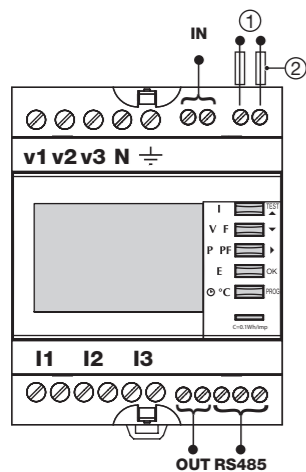
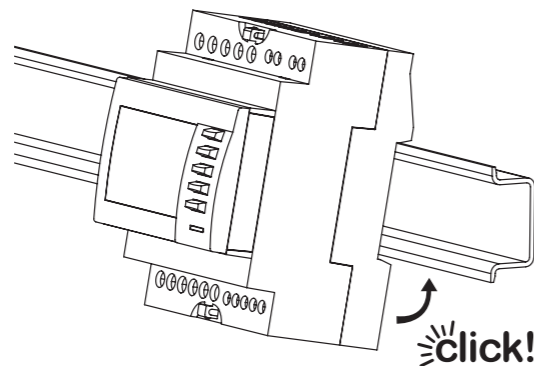
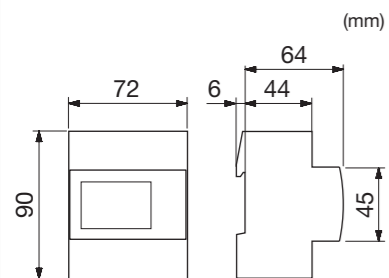
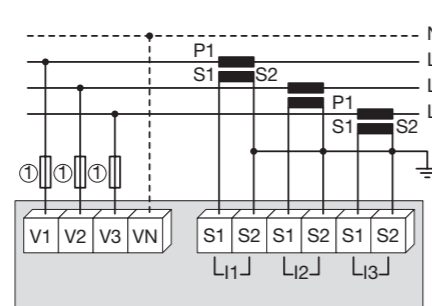
2

1P+N - 1CT

① = Fuse 0,5 A gG / 0,5 A class CC



3P+N - 3CT



- Aux.: IEC / CE 110 ... 277 V AC (-10/+15%)  
20 ... 300 V DC (+/-10%)
- Fus.: 0.5 A gG / BS 88 2A gG / 0.5 A class CC

3



www.socomec.com/diris-a10

# DIRIS A-20

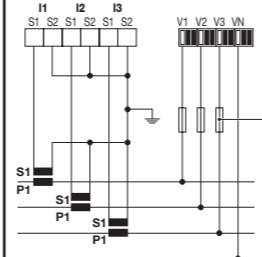
1

- 4 keys Key-pad
- LCD display
- Phase
- Values
- Unit
- Communication indication
- Energy metering indication

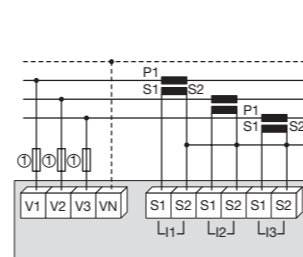


2

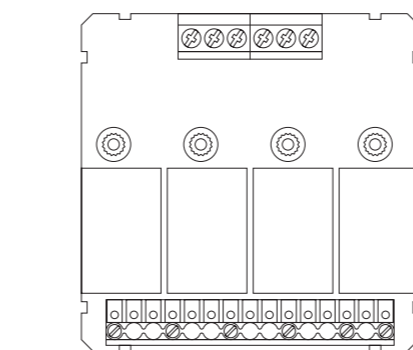
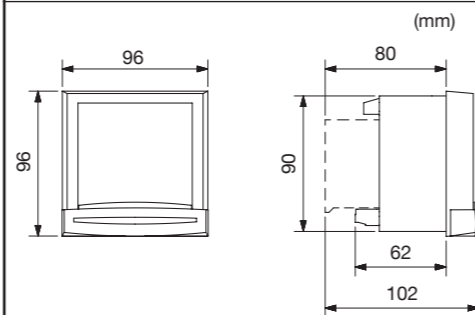
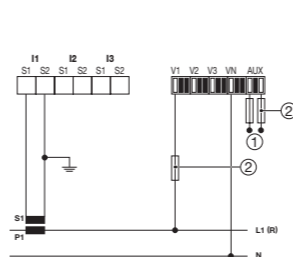
3P+N - 3CT



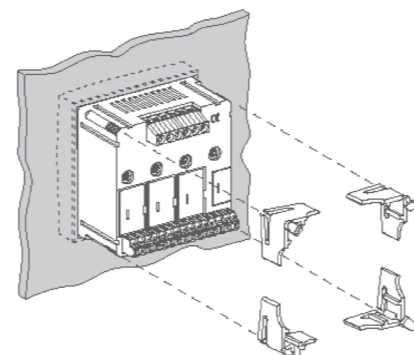
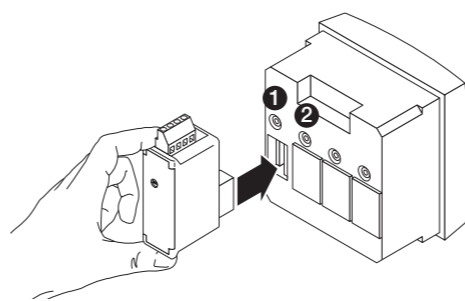
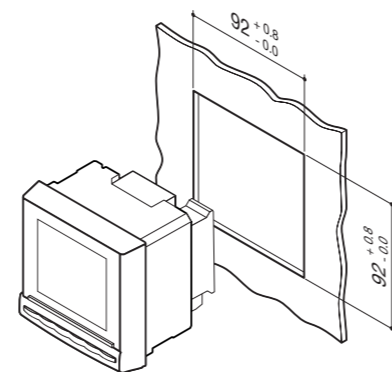
3P - 3CT



1P+N - CT



- Aux.: IEC / CE 110 ... 400 V AC  
120 ... 350 V DC
- Fus.: 0.5 A gG / BS 88 2A gG / 0.5 A class CC



3



www.socomec.com/diris-a20

# DIRIS A-30 / A-41

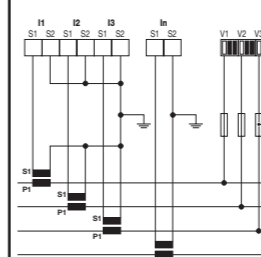
1

- 6 keys Key-pad
- LCD display
- Phase
- Values
- Unit
- Communication indication
- Energy metering indication
- Hour meter and energy display
- Alarm relay 1
- Alarm relay 2

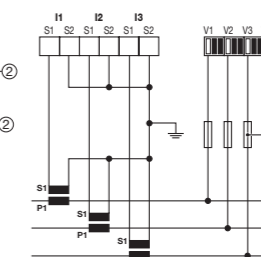


2

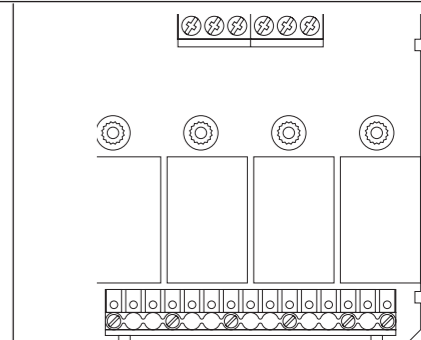
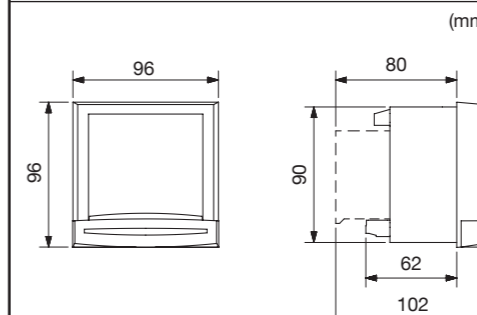
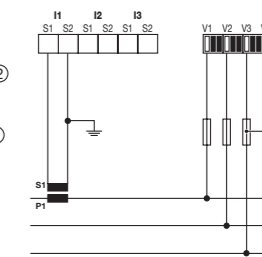
3P+N - 3CT



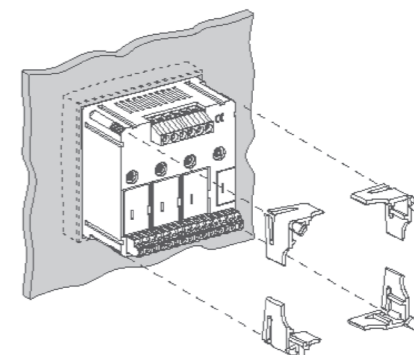
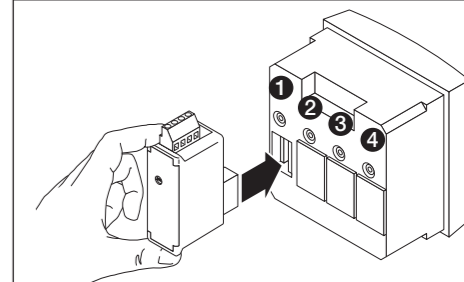
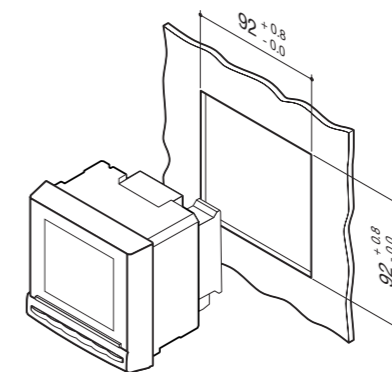
3P - 3CT



1P+N - 1CT



- Aux.: IEC / CE 110 ... 400 V AC  
120 ... 350 V DC  
12 ... 48 V DC
- Fus.: 0.5 A gG / BS 88 2A gG / 0.5 A class CC



	Nb max.	① only for A-30	②	③	④
Pulse Module	4	x	x	x	x
RS485 Modbus Module	1	x	x	x	x
2 out analog Module	2	x	x		
2in /2out digital Modul	3	x	x	x	x
Memory Module	1		x	x	

3



www.socomec.com/diris-a30