

## 8 SPECIAL WARNING FOR USA AND CANADA

This device complies with part 15 of the FCC Rules. Operation is subject to the following two conditions: (1) This device may not cause harmful interference, (2) this device must accept any interference received, including interference that may cause undesired operation. (§15.19 (3)).

FCC ID: 2AT66-DIRISDGWM

### Canada, Industry Canada (IC) Notices

This device complies with Industry Canada license-exempt RSS standard(s). Operation is subject to the following two conditions: (1) this device may not cause interference, and (2) this device must accept any interference, including interference that may cause undesired operation of the device.

IC ID: 25318-DIRISDGWM

Le présent appareil est conforme aux CNR d'ISED applicables aux appareils radio exempts de licence. L'exploitation est autorisée aux deux conditions suivantes : (1) le dispositif ne doit pas produire de brouillage préjudiciable, et (2) ce dispositif doit accepter tout brouillage reçu, y compris un brouillage susceptible de provoquer un fonctionnement indésirable.

## QUICK START GUIDE

EN

**socomec**  
Innovative Power Solutions



# DIRIS Digiware M-50 & M-70

## Multi-protocol communication gateways



DIRIS Digiware M-50  
Ref. 4829 0221



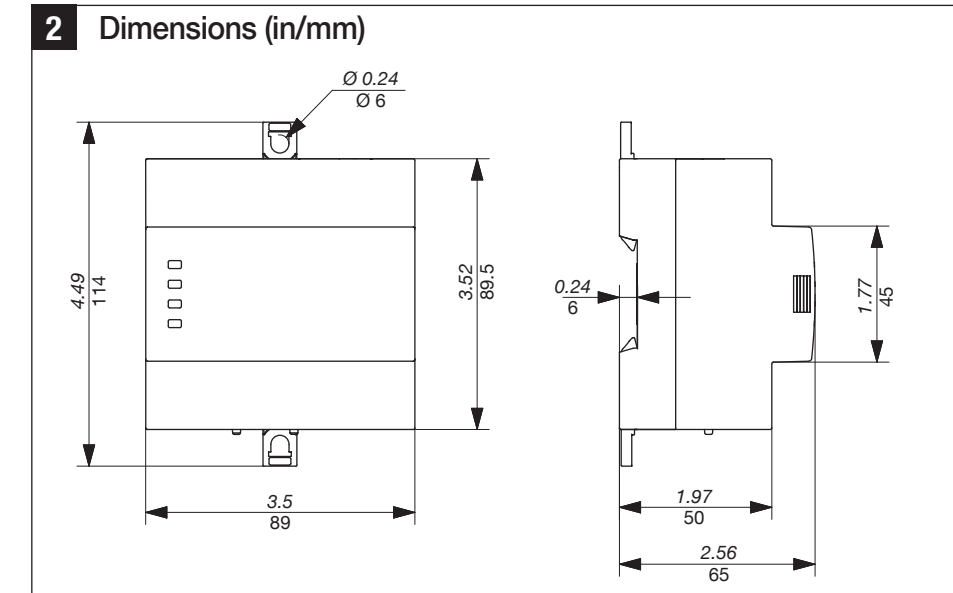
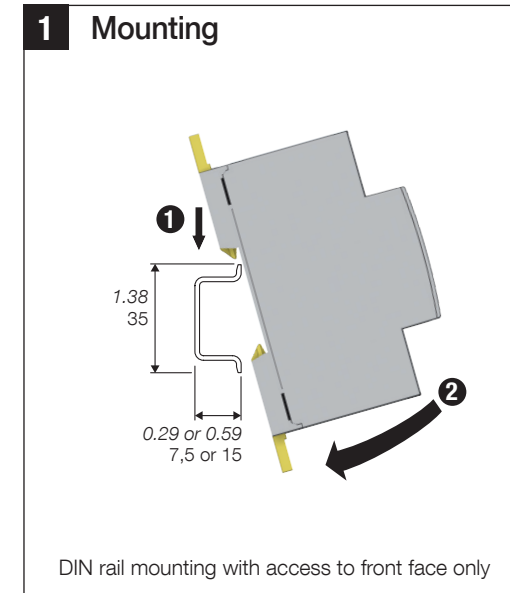
DIRIS Digiware M-70  
Ref. 4829 0222



This symbol indicates that the full instruction manual, declaration of conformity EU-type examination certificate are available on the Socomec website: [www.socomec.com/operating-instructions](http://www.socomec.com/operating-instructions)

[www.socomec.com](http://www.socomec.com)

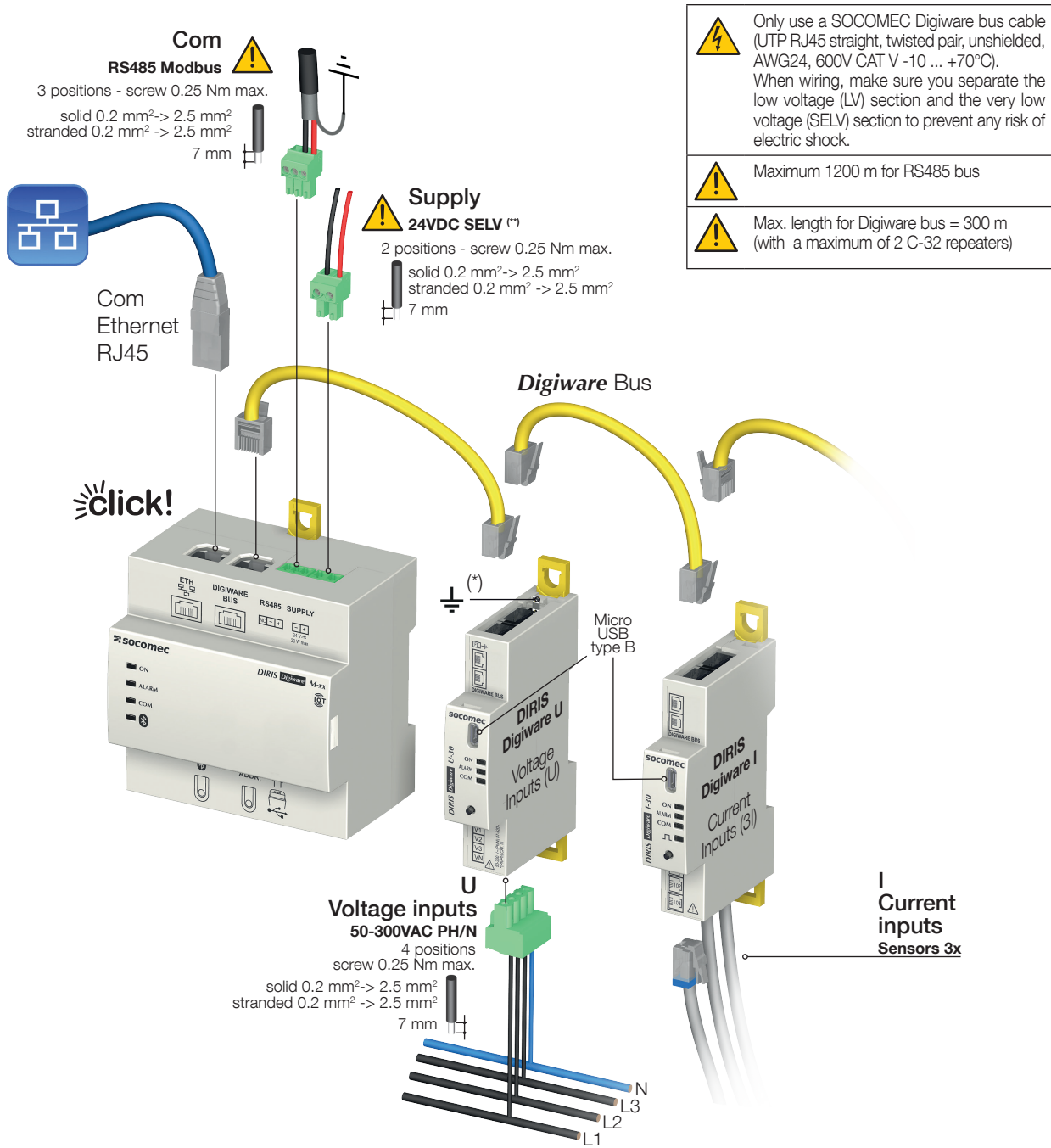
Please consult safety warning (ref. 551700) before installing the devices.



3	Technical characteristics	DIRIS Digiware M-50	DIRIS Digiware M-70
	<b>Communication characteristics</b>		
	Default IP address	192.168.0.4	192.168.0.4
	Ethernet RJ45 10/100 Mbs	Gateway: MODBUS TCP / RTU - BACnet IP / SNMP v1 v2 v3	
	Embedded software	-	WEBVIEW-M
	Max connected devices	32	
	RJ45 Digiware bus	Input	
	RS485 2-3 wires	Input (Master) / Output (Slave)	
	Speed	9600 bds (10 devices max) / 38400 bds - 115200 bds (32 devices max)	
	RJ9 port	Not used yet	
	Micro USB	For configuration	
	<b>Bluetooth Low Energy</b>		
	Use	No feature implemented yet	
	Operating frequency	2402 to 2480 MHz	
	EIRP Power	EIRP Power for CE, Australia/New Zealand : 6.23 dBm (measured max. average)	
	Max. Power for FCC/IC	3.15 dBm	
	<b>Electrical characteristics</b>		
	Power supply	24 VDC +/- 10%, 20 W max	
	Supply protection	Integrated into SOCOMEC supply (ref. 4829 0120) or use 24 VDC 1 A gG/Am fuse	
	Consumption	2.5 VA	
	<b>Environmental characteristics</b>		
	Use	Indoor	
	Storage temperature	-25 ... +70 °C	
	Operating temperature	-10 ... +55 °C	
	Humidity	95 % at +40 °C without condensation	
	Maximum operating altitude	2000 m	
	Pollution degree	2	
	Protection class	IP 40 (front face)	

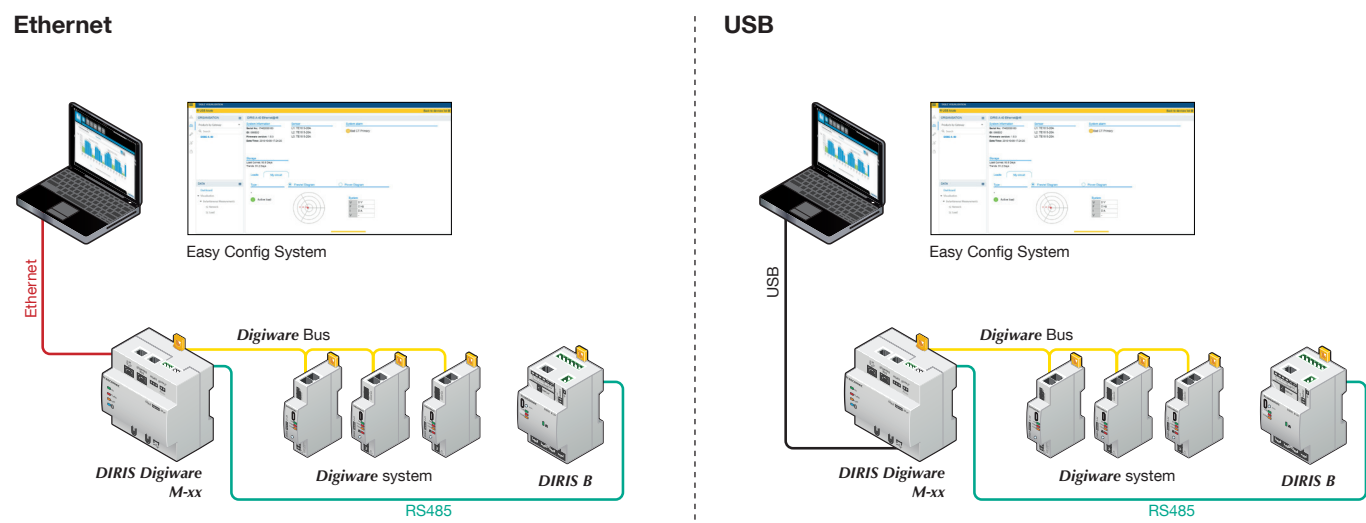


## 4 System wiring



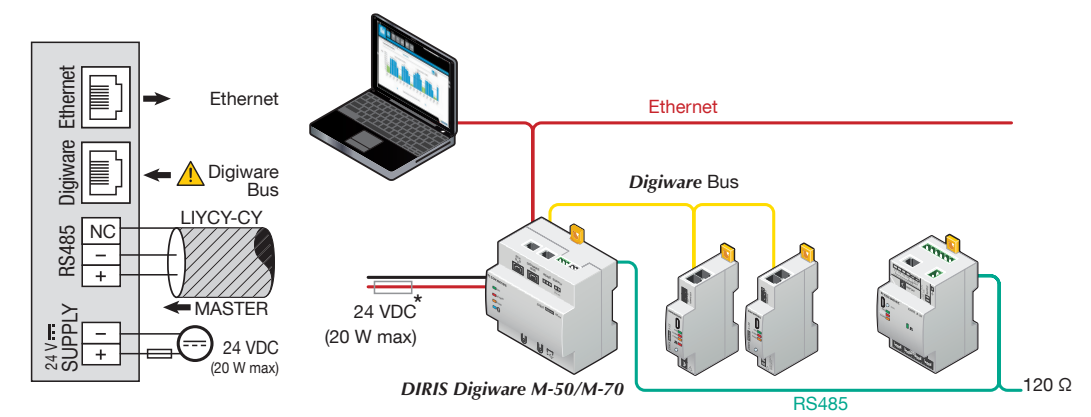
(\*) Functional Earth  
(\*\*) SELV = Safety Extra Low Voltage

## 5 Configuration via Easy Config software

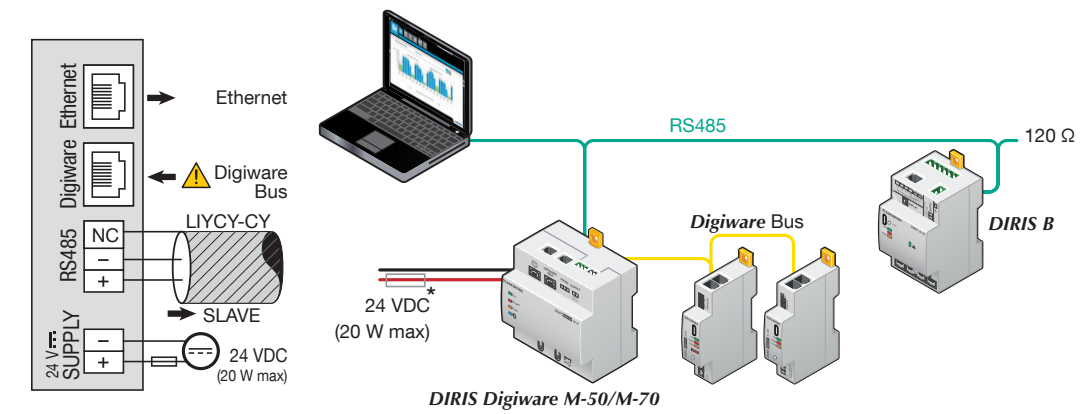


## 6 Communication architectures

a. RS485 Master



b. RS485 Slave



\* If the 24 VDC power supply is not provided by Socomec, a 1 A / 24 VDC fuse must be used. For North America, the use of recognized fuses is mandatory.

## 7 LEDs and push buttons

When installed close to uninsulated live parts, use personal protective equipment to manipulate the device (push buttons and ports).

LED	OFF	Stable	Flashing
<b>ON (Green)</b>	Device is off	Product ON	- 10 sec During startup - Manual blinking command
<b>ALARM (Red)</b>	No active alarm	Measurement alarm active on a slave device	System alarm active on a device
<b>COM (Orange)</b>	No communication	-	Product communicating
<b>(Blue)</b>	Bluetooth is deactivated	Bluetooth is activated	Ongoing Bluetooth pairing process

